

SERVICE MANUAL



T 572

**DVD / VCD / CD
PLAYER**

T 572

**DVD / VCD / CD
PLAYER**

CONTENTS

SECTION 1 SUMMARY

SECTION 2 CABINET & MAIN CHASSIS

SECTION 3 ELECTRICAL

SECTION 4 MECHANISM

SECTION 5 REPLACEMENT PARTS LIST

SECTION 1

SUMMARY

CONTENTS

PRODUCT SAFETY SERVICING GUIDELINES FOR VIDEO PRODUCTS	1-2
SERVICING PRECAUTIONS	1-3
• GENERAL SERVICING PRECAUTIONS	
• INSULATION CHECKING PRODEDURE	
• ELECTROSTATICALLY SENSITIVE DEVICES	

PRODUCT SAFETY SERVICING GUIDELINES FOR VIDEO PRODUCTS

CAUTION : DO NOT ATTEMPT TO MODIFY THIS PRODUCT IN ANY WAY, NEVER PERFORM CUSTOMIZED INSTALLATIONS WITHOUT MANUFACTURER'S APPROVAL. UNAUTHORIZED MODIFICATIONS WILL NOT ONLY VOID THE WARRANTY, BUT MAY LEAD TO YOUR BEING LIABLE FOR ANY RESULTING PROPERTY DAMAGE OR USER INJURY.

SERVICE WORK SHOULD BE PERFORMED ONLY AFTER YOU ARE THOROUGHLY FAMILIAR WITH ALL OF THE FOLLOWING SAFETY CHECKS AND SERVICING GUIDELINES. TO DO OTHERWISE, INCREASES THE RISK OF POTENTIAL HAZARDS AND INJURY TO THE USER.

WHILE SERVICING, USE AN ISOLATION TRANSFORMER FOR PROTECTION FROM A.C. LINE SHOCK.

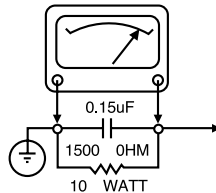
SAFETY CHECKS

AFTER THE ORIGINAL SERVICE PROBLEM HAS BEEN CORRECTED, A CHECK SHOULD BE MADE OF THE FOLLOWING.

SUBJECT : FIRE & SHOCK HAZARD

1. BE SURE THAT ALL COMPONENTS ARE POSITIONED IN SUCH A WAY AS TO AVOID POSSIBILITY OF ADJACENT COMPONENT SHORTS. THIS IS ESPECIALLY IMPORTANT ON THOSE MODULES WHICH ARE TRANSPORTED TO AND FROM THE REPAIR SHOP.
2. NEVER RELEASE A REPAIR UNLESS ALL PROTECTIVE DEVICES SUCH AS INSULATORS, BARRIERS, COVERS, SHIELDS, STRAIN RELIEFS, POWER SUPPLY CORDS, AND OTHER HARDWARE HAVE BEEN REINSTALLED PER ORIGINAL DESIGN. BE SURE THAT THE SAFETY PURPOSE OF THE POLARIZED LINE PLUG HAS NOT BEEN DEFEATED.
3. SOLDERING MUST BE INSPECTED TO DISCOVER POSSIBLE COLD SOLDER JOINTS, SOLDER SPLASHES OR SHARP SOLDER POINTS. BE CERTAIN TO REMOVE ALL LOOSE FOREIGN PARTICLES.
4. CHECK FOR PHYSICAL EVIDENCE OF DAMAGE OR DETERIORATION TO PARTS AND COMPONENTS, FOR FRAYED LEADS, DAMAGED INSULATION (INCLUDING A.C. CORD), AND REPLACE IF NECESSARY. FOLLOW ORIGINAL LAYOUT, LEAD LENGTH AND DRESS.
5. NO LEAD OR COMPONENT SHOULD TOUCH A RECEIVING TUBE OR A RESISTOR RATED AT 1 WATT OR MORE. LEAD TENSION AROUND PROTRUDING METAL SURFACES MUST BE AVOIDED.
6. ALL CRITICAL COMPONENTS SUCH AS FUSES, FLAMEPROOF RESISTORS, CAPACITORS, ETC. MUST BE REPLACED WITH EXACT FACTORY TYPES. DO NOT USE REPLACEMENT COMPONENTS OTHER THAN THOSE SPECIFIED OR MAKE UNRECOMMENDED CIRCUIT MODIFICATIONS.
7. AFTER RE-ASSEMBLY OF THE SET ALWAYS PERFORM AN A.C. LEAKAGE TEST ON ALL EXPOSED METALLIC PARTS OF THE CABINET, (THE CHANNEL SELECTOR KNOB, ANTENNA TERMINALS, HANDLE AND SCREWS) TO BE SURE THE SET IS SAFE TO OPERATE WITHOUT DANGER OF ELECTRICAL SHOCK. DO NOT USE A LINE ISOLATION TRANSFORMER DURING THIS TEST USE AN A.C. VOLT-METER, HAVING 5000 OHMS PER VOLT OR MORE SENSITIVITY, IN THE FOLLOWING MANNER; CONNECT A 1500 OHM 10 WATT RESISTOR, PARALLELED BY A .15 MFD. 150.V A.C TYPE CAPACITOR BETWEEN A KNOWN GOOD EARTH GROUND (WATER PIPE, CONDUIT, ETC.) AND THE EXPOSED METALLIC PARTS, ONE AT A TIME. MEASURE THE A.C. VOLTAGE ACROSS THE COMBINATION OF 1500 OHM RESISTOR AND .15 MFD CAPACITOR. REVERSE THE A.C. PLUG AND REPEAT A.C. VOLTAGE MEASUREMENTS FOR EACH EXPOSED METALLIC PART. VOLTAGE MEASURED MUST NOT EXCEED 75 VOLTS R.M.S. THIS CORRESPONDS TO 0.5 MILLIAMPS A.C ANY VALUE EXCEEDING THIS LIMIT CONSTITUTES A POTENTIAL SHOCK HAZARD AND MUST BE CORRECTED IMMEDIATELY.

A.C. VOLTMETER



GOOD EARTH GROUND
SUCH AS THE WATER
PIPE, CONDUIT, ETC

PLACE THIS PROBE
ON EACH EXPOSED
METAL PART

SUBJECT: GRAPHIC SYMBOLS



THE LIGHTNING FLASH WITH APROWHEAD SYMBOL, WITHIN AN EQUILATERAL TRIANGLE, IS INTENDED TO ALERT THE SERVICE PERSONNEL TO THE PRESENCE OF UNINSULATED "DANGEROUS VOLTAGE" THAT MAY BE OF SUFFICIENT MAGNITUDE TO CONSTITUTE A RISK OF ELECTRIC SHOCK.



THE EXCLAMATION POINT WITHIN AN EQUILATERAL TRIANGLE IS INTENDED TO ALERT THE SERVICE PERSONNEL TO THE PRESENCE OF IMPORTANT SAFETY INFORMATION IN SERVICE LITERATURE.

SUBJECT : X-RADIATION

1. BE SURE PROCEDURES AND INSTRUCTIONS TO ALL SERVICE PERSONNEL COVER THE SUBJECT OF X-RADIATION. THE ONLY POTENTIAL SOURCE OF X-RAYS IN CURRENT T.V. RECEIVERS IS THE PICTURE TUBE. HOWEVER, THIS TUBE DOES NOT EMIT X-RAYS WHEN THE HIGH VOLTAGE IS AT THE FACTORY SPECIFIED LEVEL. THE PROPER VALUE IS GIVEN IN THE APPLICABLE SCHEMATIC. OPERATION AT HIGHER VOLTAGES MAY CAUSE A FAILURE OF THE PICTURE TUBE OR HIGH VOLTAGE SUPPLY AND, UNDER CERTAIN CIRCUMSTANCES, MAY PRODUCE RADIATION IN EXCESS OF DESIRABLE LEVELS.
2. ONLY FACTORY SPECIFIED C.R.T. ANODE CONNECTORS MUST BE USED. DEGAUSSING SHIELDS ALSO SERVE AS AN X-RAY SHIELD IN COLOR SETS, ALWAYS RE-INSTALL THEM.
3. IT IS ESSENTIAL THAT SERVICE PERSONNEL HAVE AVAILABLE AN ACCURATE AND RELIABLE HIGH VOLTAGE METER. THE CALIBRATION OF THE METER SHOULD BE CHECKED PERIODICALLY AGAINST A REFERENCE STANDARD, SUCH AS THE ONE AVAILABLE AT YOUR DISTRIBUTOR.
4. WHEN THE HIGH VOLTAGE CIRCUITRY IS OPERATING PROPERLY THERE IS NO POSSIBILITY OF AN X-RADIATION PROBLEM. EVERY TIME A COLOR CHASSIS IS SERVICED, THE BRIGHTNESS SHOULD BE RUN UP AND DOWN WHILE MONITORING THE HIGH VOLTAGE WITH A METER TO BE CERTAIN THAT THE HIGH VOLTAGE DOES NOT EXCEED THE SPECIFIED VALUE AND THAT IT IS REGULATING CORRECTLY. WE SUGGEST THAT YOU AND YOUR SERVICE ORGANIZATION REVIEW TEST PROCEDURES SO THAT VOLTAGE REGULATION IS ALWAYS CHECKED AS A STANDARD SERVICING PROCEDURE AND THAT THE HIGH VOLTAGE READING BE RECORDED ON EACH CUSTOMER'S INVOICE.
5. WHEN TROUBLESHOOTING AND MAKING TEST MEASUREMENTS IN A PRODUCT WITH A PROBLEM OF EXCESSIVE HIGH VOLTAGE, AVOID BEING UNNECESSARILY CLOSE TO THE PICTURE TUBE AND THE HIGH VOLTAGE SUPPLY. DO NOT OPERATE THE PRODUCT LONGER THAN IT IS NECESSARY TO LOCATE THE CAUSE OF EXCESSIVE VOLTAGE.
6. REFER TO HV. B+ AND SHUTDOWN ADJUSTMENT PROCEDURES DESCRIBED IN THE APPROPRIATE SCHEMATIC AND DIAGRAMS (WHERE USED).

SUBJECT: IMPLOSION

1. ALL DIRECT VIEWED PICTURE TUBES ARE EQUIPPED WITH AN INTEGRAL IMPLOSION PROTECTION SYSTEM, BUT CARE SHOULD BE TAKEN TO AVOID DAMAGE DURING INSTALLATION, AVOID SCRATCHING THE TUBE. IF SCRATCHED REPLACE IT.
2. USE ONLY RECOMMENDED FACTORY REPLACEMENT TUBES.

SUBJECT : TIPS ON PROPER INSTALLATION

1. NEVER INSTALL ANY PRODUCT IN A CLOSED-IN RECESS, CUBBY-HOLE OR CLOSELY FITTING SHELF SPACE, OVER OR CLOSE TO HEAT DUCT, OR IN THE PATH OF HEATED AIR FLOW.
2. AVOID CONDITIONS OF HIGH HUMIDITY SUCH AS: OUTDOOR PATIO INSTALLATIONS WHERE DEW IS A FACTOR, NEAR STEAM RADIATORS WHERE STEAM LEAKAGE IS A FACTOR, ETC.
3. AVOID PLACEMENT WHERE DRAPERIES MAY OBSTRUCT REAR VENTING. THE CUSTOMER SHOULD ALSO AVOID THE USE OF DECORATIVE SCARVES OR OTHER COVERINGS WHICH MIGHT OBSTRUCT VENTILATION.
4. WALL AND SHELF MOUNTED INSTALLATIONS USING A COMMERCIAL MOUNTING KIT, MUST FOLLOW THE FACTORY APPROVED MOUNTING INSTRUCTIONS. A PRODUCT MOUNTED TO A SHELF OR PLATFORM MUST RETAIN ITS ORIGINAL FEET (OR THE EQUIVALENT THICKNESS IN SPACERS) TO PROVIDE ADEQUATE AIR FLOW ACROSS THE BOTTOM. BOLTS OR SCREWS USED FOR FASTENERS MUST NOT TOUCH ANY PARTS OR WIRING. PERFORM LEAKAGE TEST ON CUSTOMIZED INSTALLATIONS.
5. CAUTION CUSTOMERS AGAINST THE MOUNTING OF A PRODUCT ON SLOPING SHELF OR A TILTED POSITION, UNLESS THE PRODUCT IS PROPERLY SECURED.
6. A PRODUCT ON A ROLL-ABOUT CART SHOULD BE STABLE ON ITS MOUNTING TO THE CART. CAUTION THE CUSTOMER ON THE HAZARDS OF TRYING TO ROLL A CART WITH SMALL CASTERS ACROSS THRESHOLDS OR DEEP PILE CARPETS.
7. CAUTION CUSTOMERS AGAINST THE USE OF A CART OR STAND WHICH HAS NOT BEEN LISTED BY UNDERWRITERS LABORATORIES, INC. FOR USE WITH THEIR SPECIFIC MODEL OF TELEVISION RECEIVER OR GENERALLY APPROVED FOR USE WITH T.V.'S OF THE SAME OR LARGER SCREEN SIZE.
8. CAUTION CUSTOMERS AGAINST THE USE OF EXTENSION CORDS. EXPLAIN THAT A FOREST OF EXTENSIONS SPROUTING FROM A SINGLE OUTLET CAN LEAD TO DISASTROUS CONSEQUENCES TO HOME AND FAMILY.

SERVICING PRECAUTIONS

CAUTION : Before servicing the DVD covered by this service data and its supplements and ADDENDUMS, read and follow the *SAFETY PRECAUTIONS*. **NOTE :** if unforeseen circumstances create conflict between the following servicing precautions and any of the safety precautions in this publication, always follow the safety precautions.

Remember Safety First:

General Servicing Precautions

1. Always unplug the DVD AC power cord from the AC power source before:
 - (1) Removing or reinstalling any component, circuit board, module, or any other assembly.
 - (2) Disconnection or reconnecting any internal electrical plug or other electrical connection.
 - (3) Connecting a test substitute in parallel with an electrolytic capacitor.
Caution : A wrong part substitution or incorrect polarity installation of electrolytic capacitors may result in an explosion hazard.
2. Do not spray chemicals on or near this DVD or any of its assemblies.
3. Unless specified otherwise in this service data, clean electrical contacts by applying an appropriate contact cleaning solution to the contacts with a pipe cleaner, cotton-tipped swab, or comparable soft applicator. Unless specified otherwise in this service data, lubrication of contacts is not required.
4. Do not defeat any plug/socket B+ voltage interlocks with which instruments covered by this service manual might be equipped.
5. Do not apply AC power to this DVD and/or any of its electrical assemblies unless all solid-state device heat sinks are correctly installed.
6. Always connect test instrument ground lead to the appropriate ground before connection the test instrument positive lead. Always remove the test instrument ground lead last.

Insulation Checking Procedure

Disconnect the attachment plug from the AC outlet and turn the power on. Connect an insulation resistance meter(500V) to the blades of the attachment plug. The insulation resistance between each blade of the attachment plug and accessible conductive parts (Note 1) should be more than 1M-ohm.

Note 1 : Accessible Conductive Parts including Metal panels, Input terminals, Earphone jacks, etc.

Electrostatically Sensitive (ES) Devices

Some semiconductor (solid state) devices can be damaged easily by static electricity. Such components commonly are called Electrostatically Sensitive (ES) Devices. Examples of typical ES devices are integrated circuits and some field effect transistors and semiconductor chip components.

The following techniques should be used to help reduce the incidence of component damage caused by static electricity.

1. Immediately before handling any semiconductor component or semiconductor-equipped assembly, drain off any electrostatic charge on your body by touching a known earth ground. Alternatively, obtain and wear a commercially available discharging wrist strap device, which should be removed for potential shock reasons prior to applying power to the unit under test.
2. After removing an electrical assembly equipped with ES devices, place the assembly on a conductive surface such as aluminum foil, to prevent electrostatic charge buildup or exposure of the assembly.
3. Use only a GROUNDED-tip soldering iron to solder or unsolder ES devices.
4. Use only an anti-static solder removal device. Some solder removal devices not classified a "anti-static" can generate electrical charges sufficient to damage ES devices.
5. Do not use freon-propelled chemicals. These can generate electrical charge sufficient to damage ES devices.
6. Do not remove a replacement ES device from its protective package until immediately before you are ready to install it. (Most replacement ES devices are packaged with leads electrically shorted together by conductive foam, aluminum foil, or comparable conductive material).
7. Immediately before removing the protective material from the leads of a replacement ES device, touch the protective material to the chassis or circuit assembly into which the device will be installed.

Caution : Be sure no power is applied to the chassis or circuit, and observe all other safety precautions.

8. Minimize bodily motions when handling unpackaged replacement ES devices. (Normally harmless motion such as the brushing together of your clothes fabric or the lifting of your foot from a carpeted floor can generate static electricity sufficient to damage an ES device.)

SPECIFICATIONS

• GENERAL

Power requirements	AC120V, 60Hz
Power consumption	14W
Dimensions(approx.)	430 x 118 x 408mm (16.9 X 4.7 X 16.1 inches)(wxhxd)
Mass(approx.)	5.7kg(12.6 lbs)
Operating temperature	5°C to 40°C (41°F to 104°F)
Operating humidity	5 % to 90 %

• SYSTEM

Laser	Semiconductor laser, wavelength 650nm
Signal system	NTSC
Frequency response	DVD (PCM 96kHz): 8Hz to 44kHz DVD (PCM 48kHz): 8Hz to 22kHz CD: 8Hz to 20kHz
Signal-to-noise ratio	More than 100dB (ANALOG OUT connectors only)
Harmonic distortion	Less than 0.008%
Dynamic range	More than 100dB(DVD) More than 95dB(CD)

• OUTPUTS

VIDEO OUTPUTS	1Vp-p, 75 ohms, sync negative, RCA jack x 1
S-V IDEO OUTPUTS	(Y)1.0V(p-p), 75Ω, negative sync., Mini DIN 4-pin x 1 (C)0.3V(p-p), 75 ohms
COMPONENT VIDEO OUT	(Y)1.0V(p-p), 75Ω, negative sync., RCA jack x 1 (P _B)/(P _R)0.7V(p-p), 75 Ω, RCA jack x 2
Audio output(digital audio)	0.5V(p-p), 75Ω, RCA jack X 1
Audio output(optical audio)	0.5V(p-p), 75Ω,Optical connector x 1
Audio output(analog audio)	2.0Vrms (1kHz, 0dB), 330Ω, RCA jack (L, R) x 2

SECTION 2
CABINET & MAIN CHASSIS

CONTENTS

- 1. DISASSEMBLY.....2-2**
 - CABINET DISASSEMBLY2-2**
 - CIRCUIT BOARD DISASSEMBLY2-3**
- 2. EXPLODED VIEWS2-4**
 - 1. Cabinet and Main Frame Section2-4**
 - 2. Packing Accessory Section2-6**

DISASSEMBLY

CAUTION BEFORE STARTING SERVICING

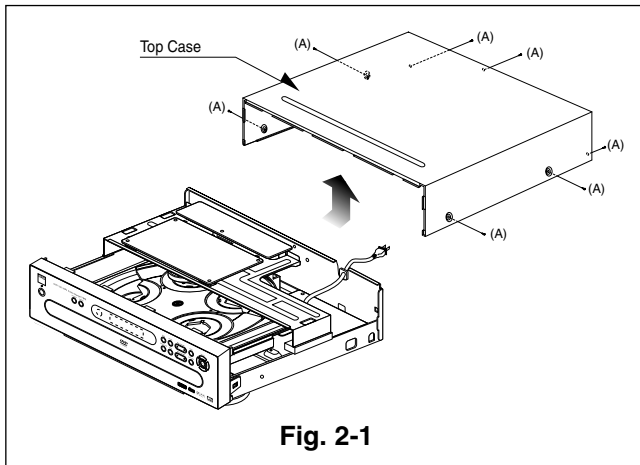
Electronic parts are susceptible to static electricity and may easily be damaged, so do not forget to take a proper grounding treatment as required.

Many screws are used inside the unit. To prevent missing, dropping, etc. of the screws, always use a magnetized screw driver in servicing. Several kinds of screws are used and some of them need special cautions. That is, take care of the tapping screws securing molded parts and fine pitch screws used to secure metal parts. If they are used improperly, the screw holes will be easily damaged and the parts can not be fixed.

CABINET DISASSEMBLY

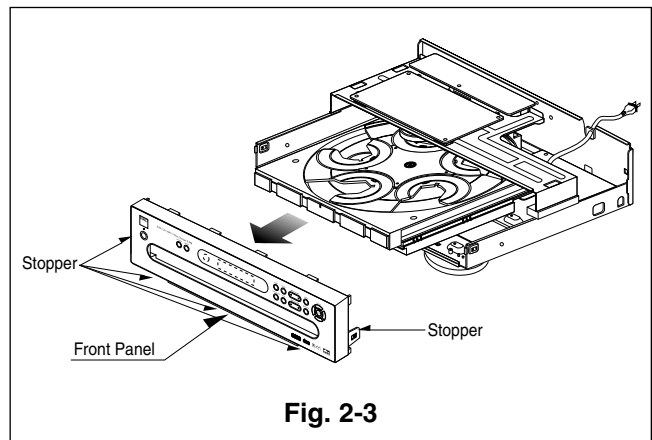
1. Top Case

1. Release 7 screws (A). (See Fig. 2-1)
2. Lift the top case with holding the back of it, and remove it in the direction of the arrow.



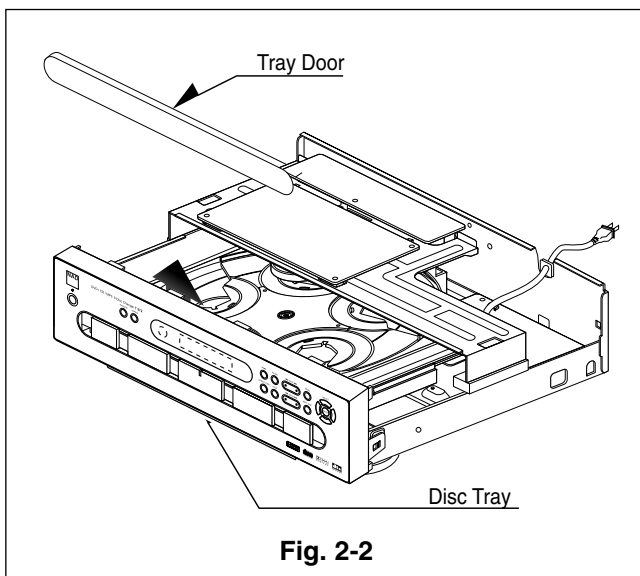
3. Front Panel

1. Eject the disc tray. (See Fig. 2-2)
2. Remove the tray door. (See Fig. 2-2)
3. Pull the front panel toward you while pressing 5 stoppers to disengage, and remove the front panel. (See Fig. 2-3)



2. Tray Door

1. Eject the disc tray.
2. Lift up the tray door in the direction of the arrow.



CIRCUIT BOARD DISASSEMBLY

Note: Before removing the main circuit board, be sure to shortcircuit the laserdiode output land.
 After replacing the main circuit board, open the land after inserting the flexible connector.
 (Refer to Mechanism Disassembly)

1. Disassemble Main circuit board, Jack circuit board, Power circuit board and MD Ass'y DPM1.

1. Remove the top case.(See Fig. 2-1)
2. Remove 10 screws (B).
3. Disassemble Main circuit board and Jack circuit board from Bracket Main.
4. Unscrew 3 screws(C) at Bracket Main.
5. Disassemble Bracket Main from Main chassis.
6. Unscrew 4 screws(D) at MD Ass'y DPM1.
7. Turn the portion the direction of arrow to move the Base Assembly Tray in front of you.
8. Release the other 3 screws(E).
9. Disassemble MD Ass'y DPM1 from Main chassis.
10. Unscrew 4 screws(F) at Power circuit.
11. Disassemble power circuit board from Main chassis.

2. Digitron and Key Circuit Board

1. Remove the front panel.(See Fig. 2-3)
2. Release 6 screws (G), and remove the digitron circuit board.

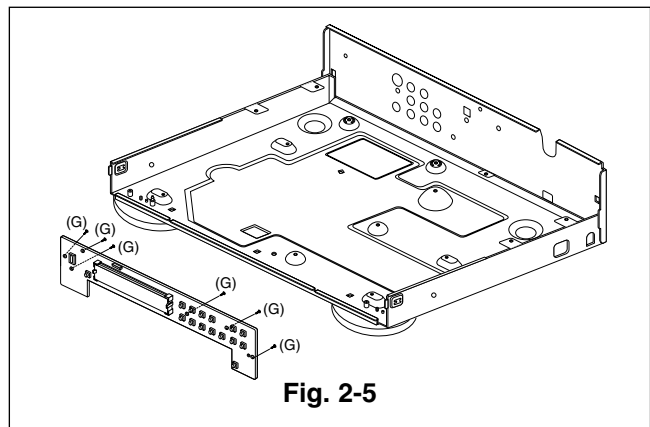


Fig. 2-5

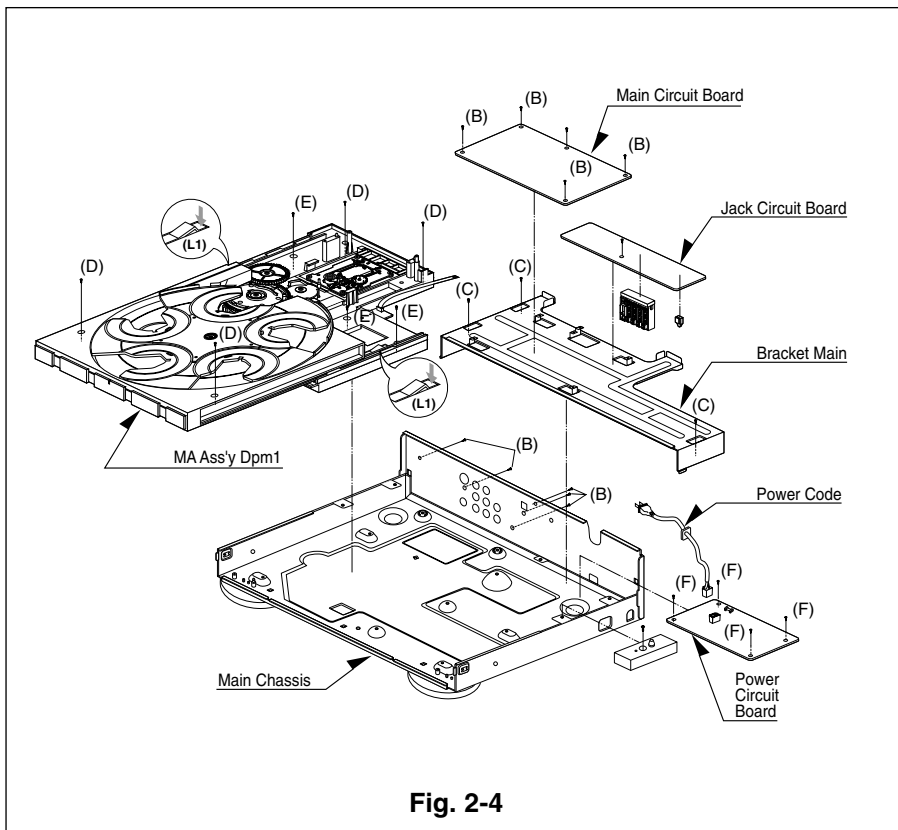
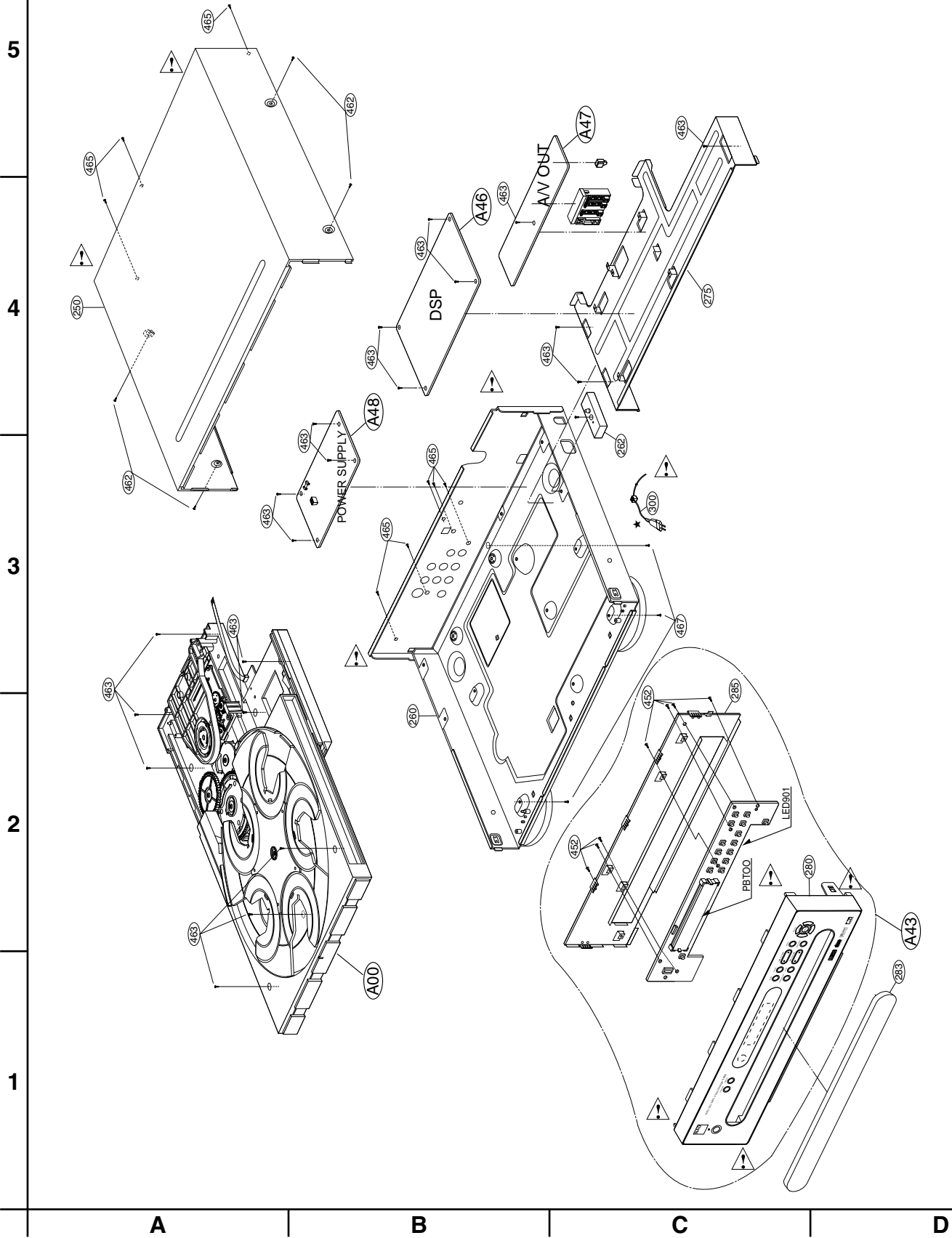


Fig. 2-4

EXPLODED VIEWS

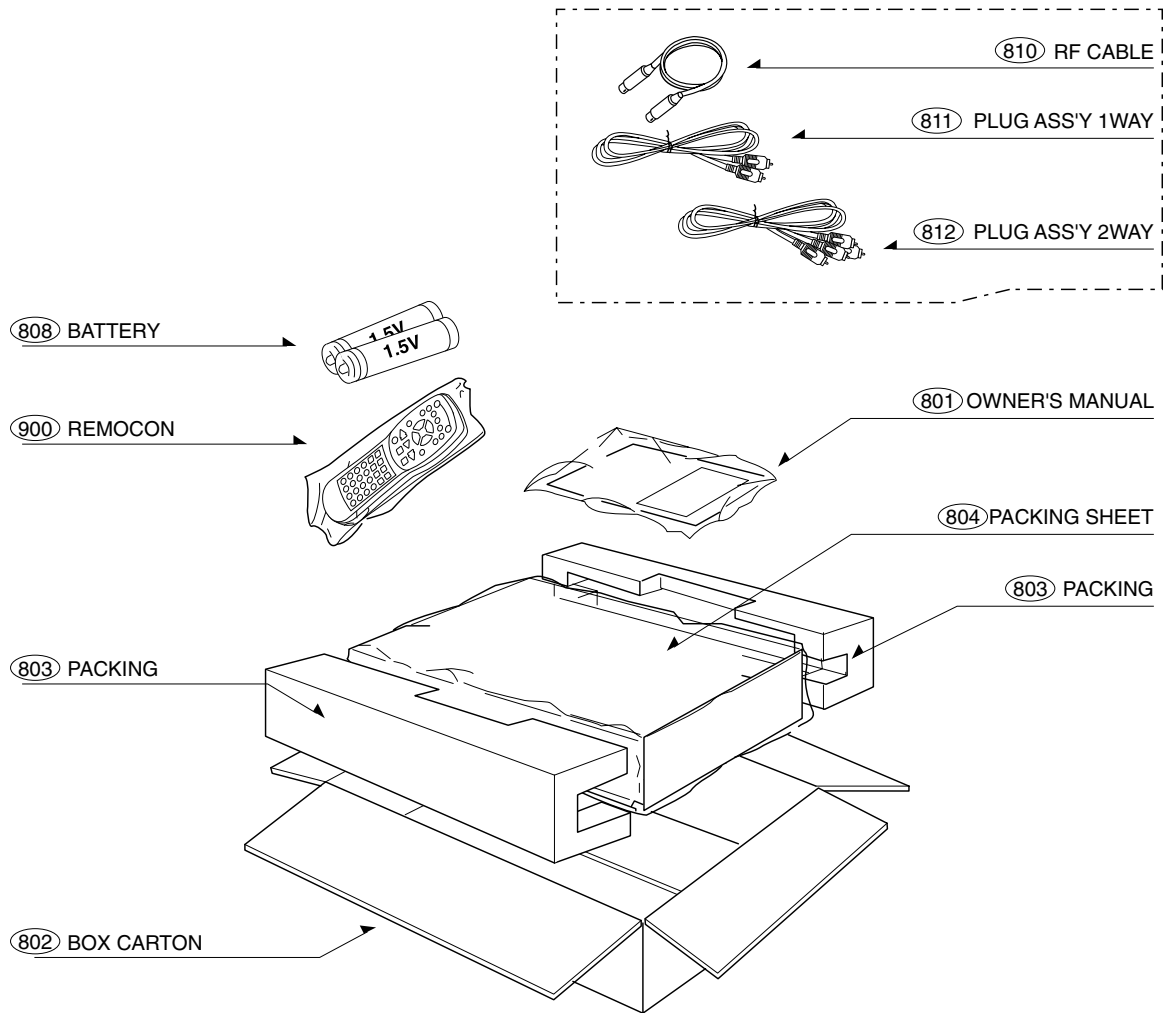
1. Cabinet and Main Frame Section



• Cabinet and Main Frame Section

S	AL	LOCA.NO	PART NO(LG)	A	B	DESCRIPTION	SPECIFICATION	REMARKS
ASSEMBLY PARTS SECTION								
		A43	3501RF3434C		O	BOARD ASSEMBLY	FRONT(DMN5026N_T572_AH	
		A43	3501RF3434D	O		BOARD ASSEMBLY	FRONT(DMN5025E_T572_C)	
		A46	6885R-0550G		O	SUB PWB(PCB) ASSEMBLY DSP BOARD	DMN5026N EVNT NAD CHANGER SVC DSP	
		A46	6885R-0550H	O		SUB PWB(PCB) ASSEMBLY DSP BOARD	DMN5025E EVNT NAD CHANGER SVC DSP	
		A47	6871R-5089A		O	PWB(PCB) ASSEMBLY,TOTAL	DMN5026N HA1UNN IO BLUE PCB A/V OUTPUT	
		A47	6871R-5089B	O		PWB(PCB) ASSEMBLY,TOTAL	DMN5025E HA2DNN IO BLUE PCB A/V OUTPUT	
		A48	6871R-5088A		O	PWB(PCB) ASSEMBLY,TOTAL POWER PCB	DMN5026N HA1UNN SMPS BLUE PCB PSB	
		A48	6871R-5088B	O		PWB(PCB) ASSEMBLY,TOTAL POWER PCB	DMN5025E HA2DNN SMPS BLUE PCB PSB	
PARTS SECTION								
		250	3110R-0194U	O	O	CASE	DVD - TOP(5-DVD . W/O DVD .	
		260	3141R-0059R	O		CHASSIS ASSEMBLY	DVD DMP5024N MAIN HA1UPP	NSP
		260	3141R-0059S		O	CHASSIS ASSEMBLY	DMN5026N T572#SH	NSP
		275	4811R-0027F		O	BRACKET ASSEMBLY	MAIN(DVM5000 . W/O GND . ADD S	
		280	3721R-F228C		O	PANEL ASSEMBLY,FRONT	FRONT (DMN4026N) NAD T572 AH	
		280	3721R-F228D	O		PANEL ASSEMBLY,FRONT	FRONT (DMN4025E) NAD T572 C	
		283	3580R-T041B	O	O	DOOR,CASE	TRAY (T572) NAD	
		285	3301R-M019A	O	O	PLATE ASSEMBLY	VCR - SHIELD(T571)NAD	
		300	6410RAHJ02A		O	POWER CORD	JL001/NISPT-2 18AWGX2C 105C JI	
		300	6410RCHJ02A	O		POWER CORD	JL201B WITH CORE JIULIAN VDE/	
SCREW								
		455	353-051E	O	O	SCREW	SPECIAL (3X12)	
		462	353-085E	O	O	SCREW,DRAWING	+3 D4.0 L10.0 MSWR3/FZMCW-2	
		463	353-051G	O	O	SCREW,DRAWING	+2 D3.0 L8.0 MSWR3/FN TB ROUN	
		465	353-046K	O	O	SCREW	SPECIAL (3X10 B.K)	

2. Packing Accessory Section



• Packing Accessory Section Part List

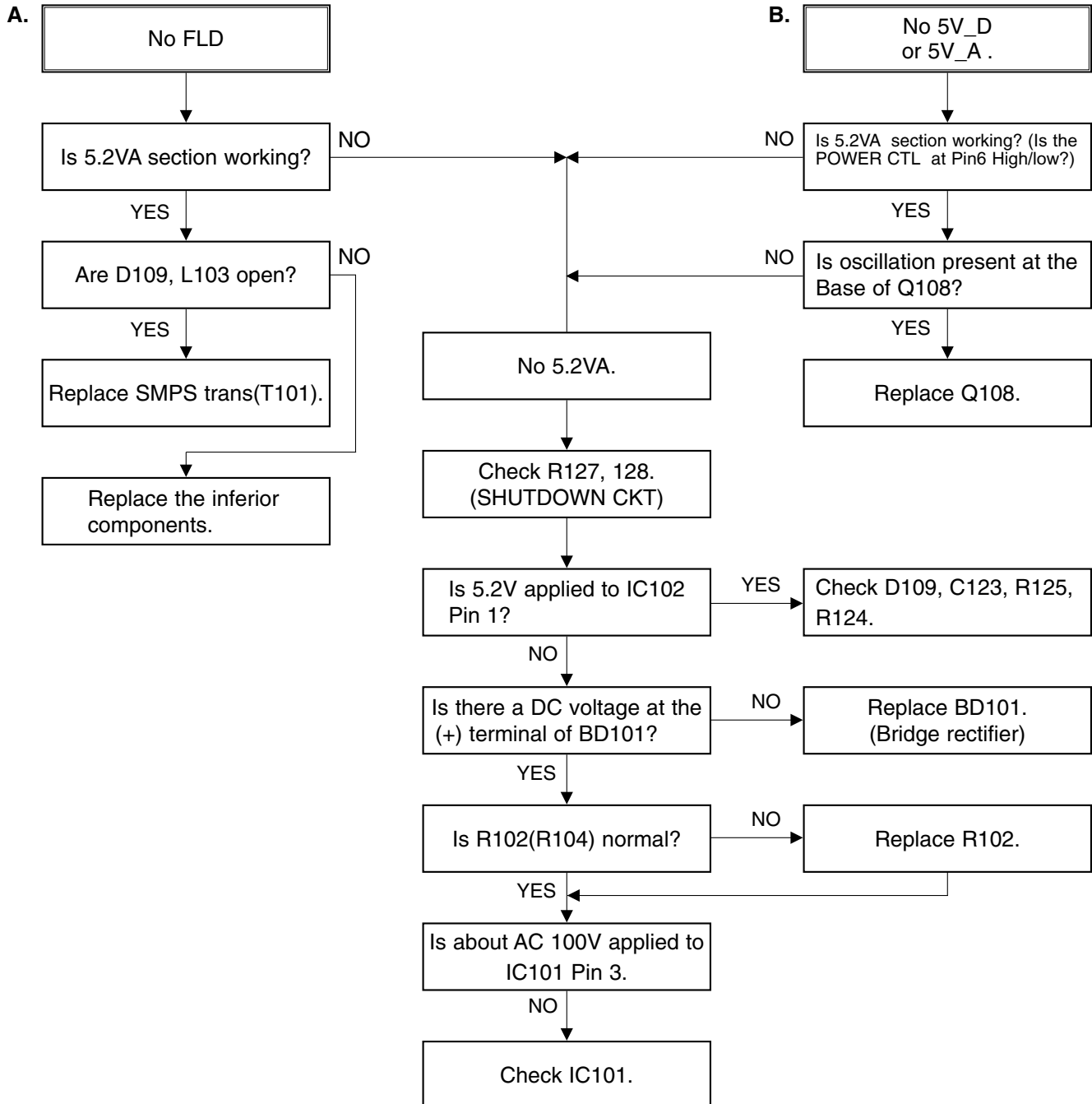
S	AL	LOCA.NO	PART NO(LG)	A	B	DESCRIPTION	SPECIFICATION	REMARKS
		801	3835RS0042D	O		INSTRUCTION ASSEMBLY	DMN5025E_HA2DNN	
		801	3835RS0042E		O	INSTRUCTION ASSEMBLY	DMN5026N_HA1UNN	
		802	3890R-H524M	O		BOX	DMN5025E HA2DNN SW3-A 1.745 1	
		802	3890R-H524N		O	BOX	DMN5026N HA1UNN SW3-A 1.745 1	
		803	3920R-E038A	O	O	PACKING,CASING	DMN4022N 0.02 110 EPS 8 430 89	
		804	292-053E	O	O	BAG	V3	NSP
		808	841-0021	O	O	BATTERY,MN	ER03X HI WATT 1.5V .MA/H AAA	
		810	6851RP0003N	O	O	CABLE ASSY,RF	DVD CABLE ASSY,RCA USING AREA	
			6611R1G001A	O	O	PLUG ASSY	1WAY YELLOW GLOBAL	
			6611R2G001A	O	O	PLUG ASSY	2WAY RED/WHITE GLOBAL	
		900	6711R2N010X	O	O	REMOTE CONTROLLER ASSY	D1 DMN4022N NAD W/DISC SKIP	

SECTION 3 ELECTRICAL CONTENTS

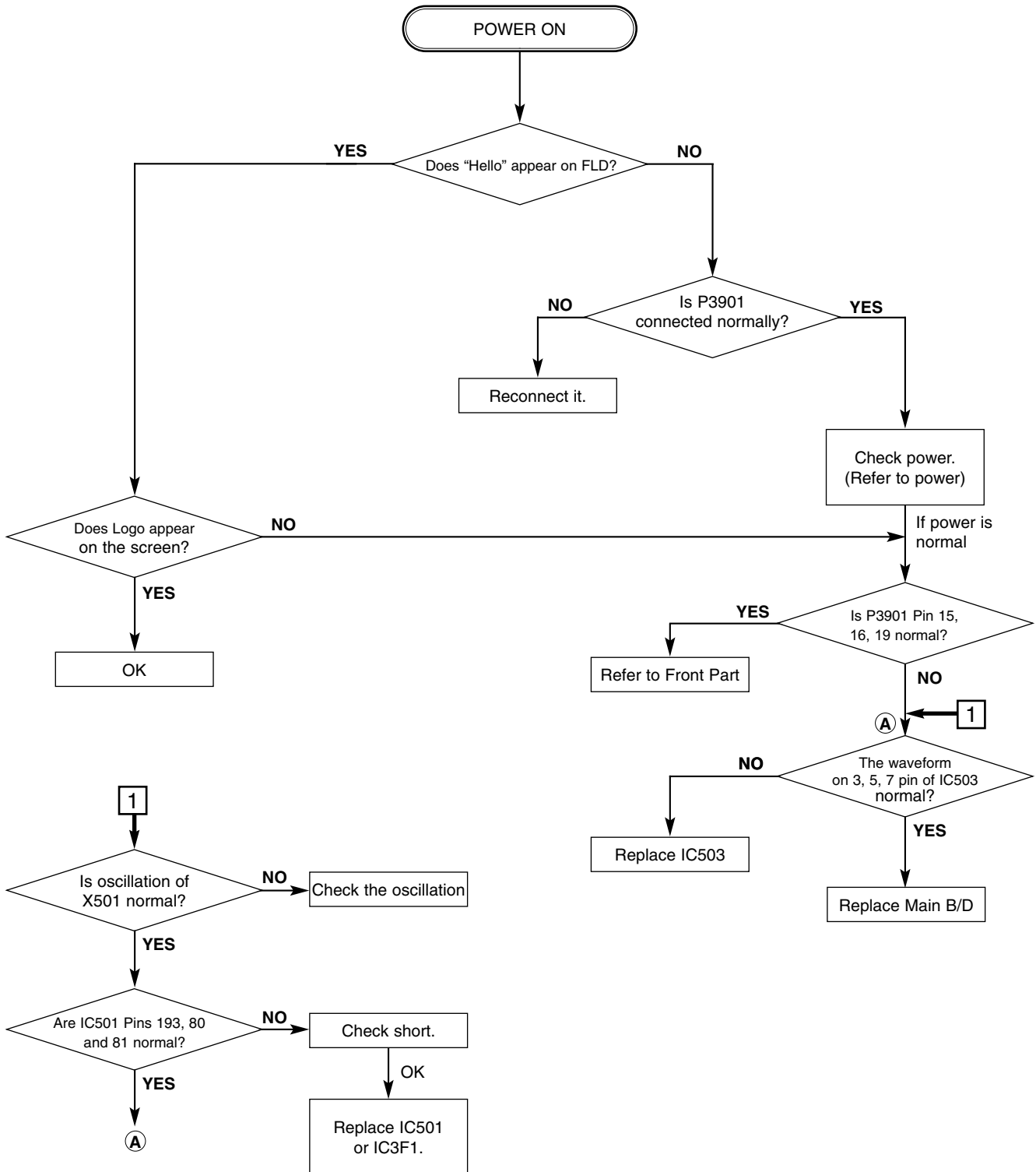
ELECTRICAL TROUBLESHOOTING GUIDE.....	3-2
1. Power(SMPS) Circuit.....	3-2
2. μ -com Circuit.....	3-3
3. MPEG Circuit.....	3-6
4. Front Circuit(Digitron & Key)	3-7
5. RF/Servo Circuit	3-8
BLOCK DIAGRAMS	3-12
1. Overall Block Diagram	3-12
2. Power (SMPS) Block Diagram	3-13
3. RF/CD DSP/DVD DSP/DVD servo Block Diagram	3-14
4. Audio Block Diagram	3-15
5. MPEG Block Diagram.....	3-16
CIRCUIT DIAGRAMS	3-17
1. Power (SMPS) Circuit Diagram	3-17
2. DVD DSP Circuit Diagram	3-19
3. Drive & RF Circuit Diagram	3-21
4. MPEG Circuit Diagram	3-23
• WAVEFORMS	3-25
5. Audio DM & 5.1CH Circuit Diagram	3-27
6. TIMER & Key Circuit Diagram	3-29
7. A/V Circuit Diagram	3-31
8. Jack Circuit Diagram(T572AH)	3-33
9. Jack Circuit Diagram(T572C).....	3-35
• CIRCUIT VOLTAGE CHART	3-37
PRINTED CIRCUIT DIAGRAMS	3-41
1. MAIN P.C.BOARD	3-41
2. AV JACK P.C.BOARD.....	3-43
3. SMPS P.C.BOARD	3-44
4. FRONT P.C.BOARD.....	3-43

ELECTRICAL TROUBLESHOOTING GUIDE

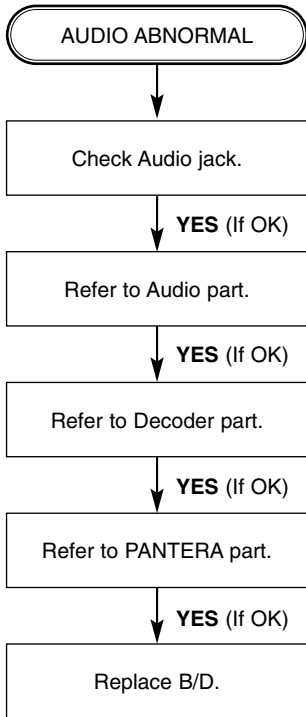
1. Power(SMPS) Circuit



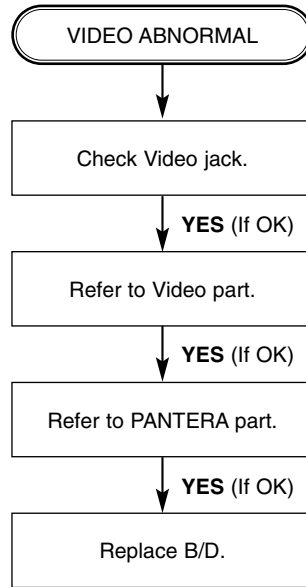
2. μ -COM Circuit
A. No Power



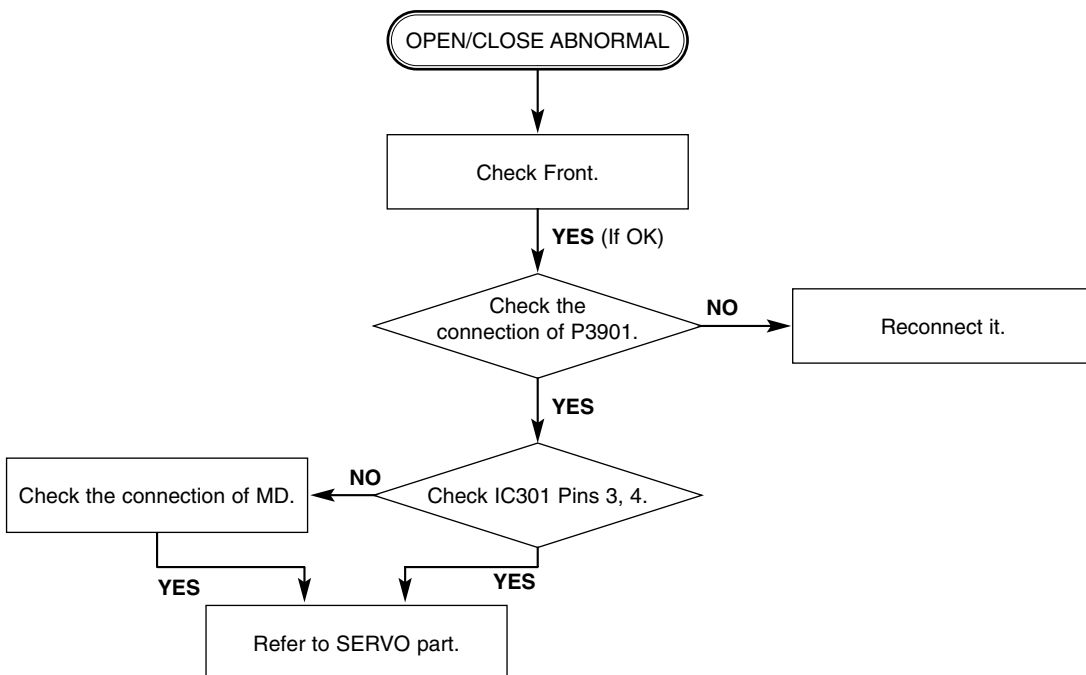
B. Audio abnormal



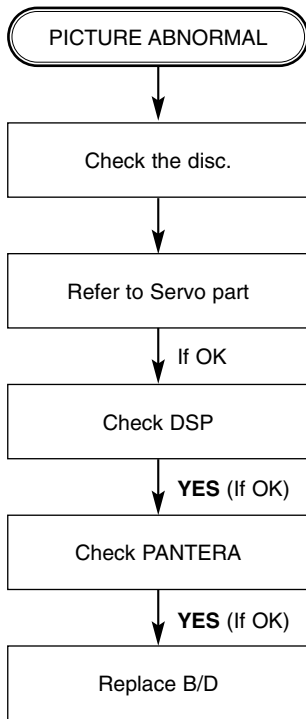
C. Video abnormal



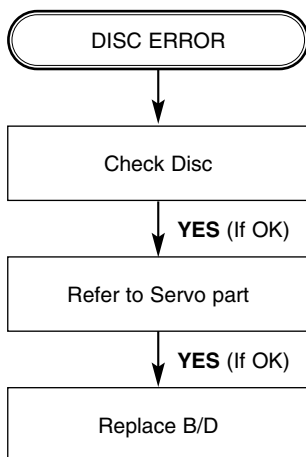
D. Open/Close abnormal



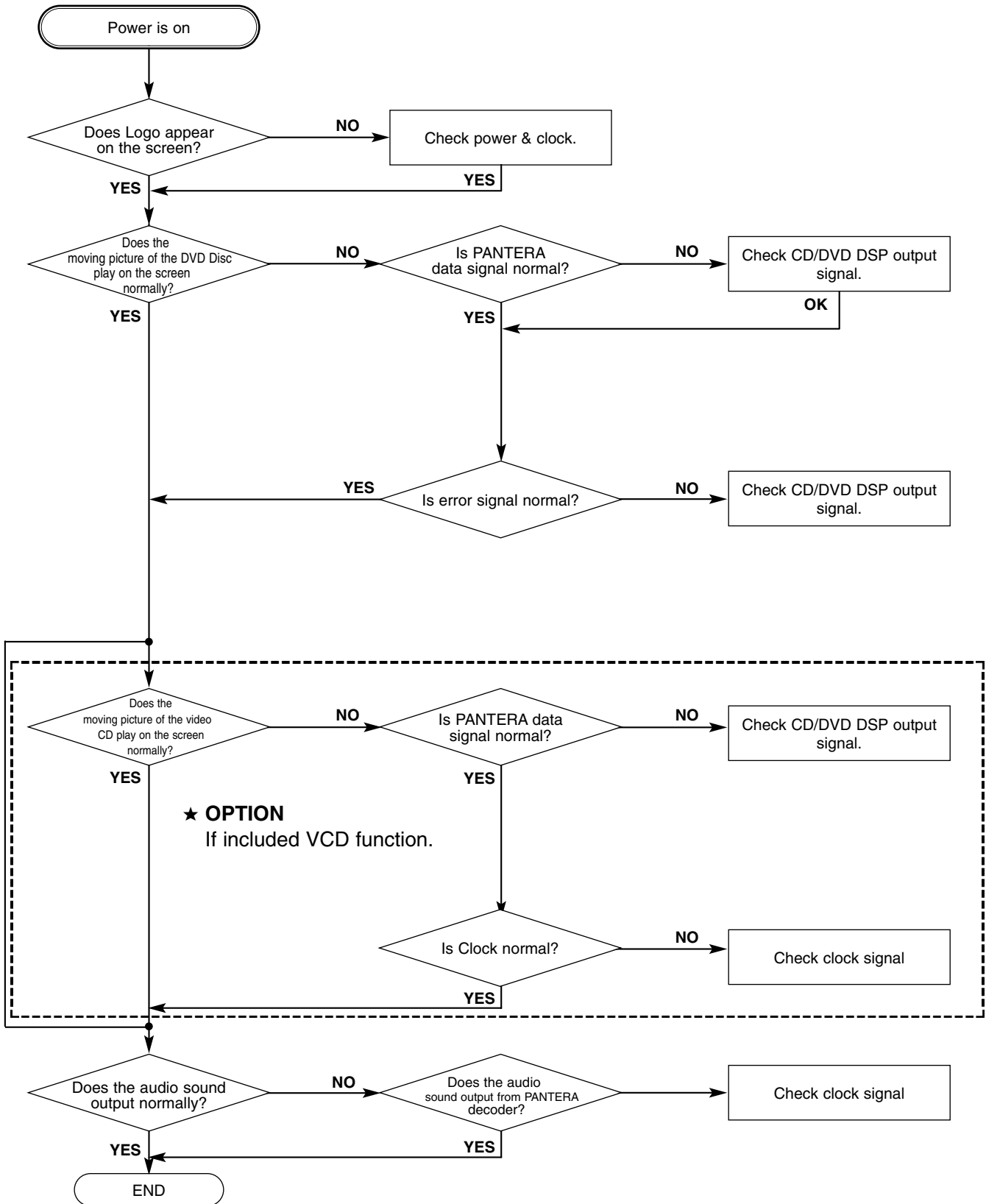
E. Picture abnormal



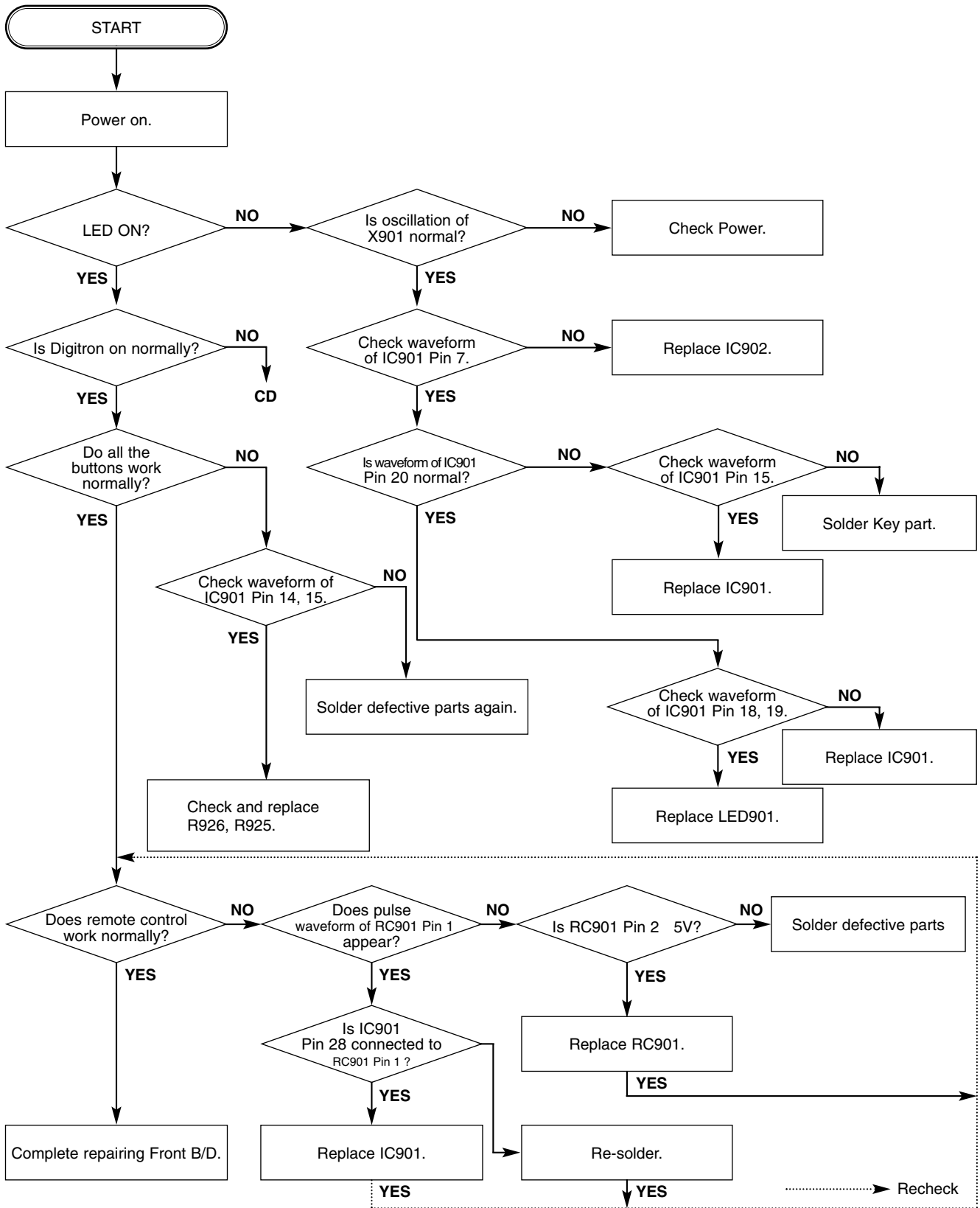
F. Disc Error



3. PANTERA Circuit

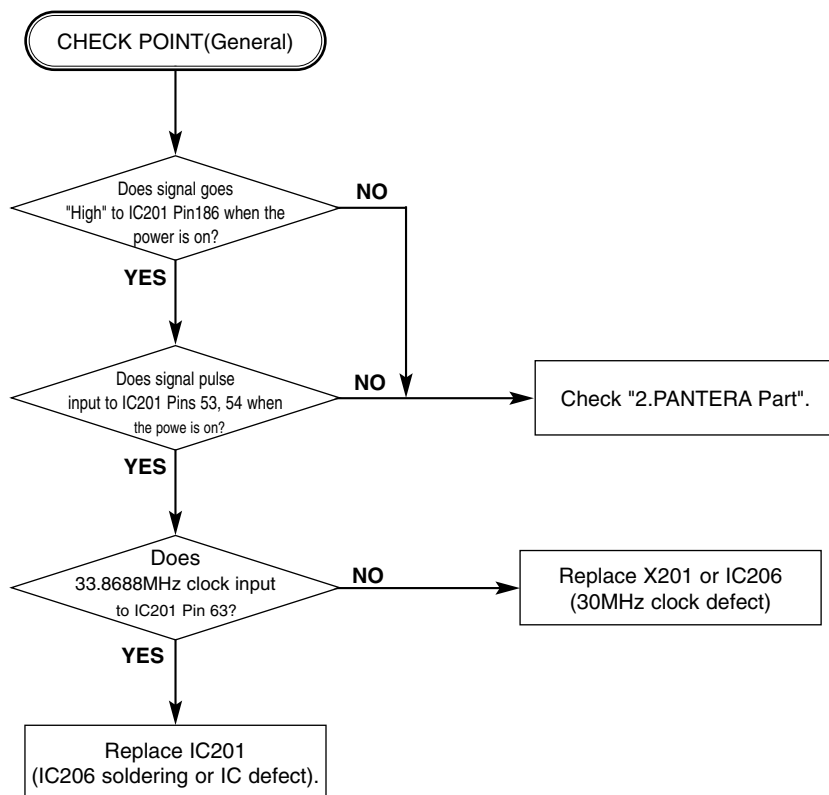


4. Front Circuit (Digitron & key)

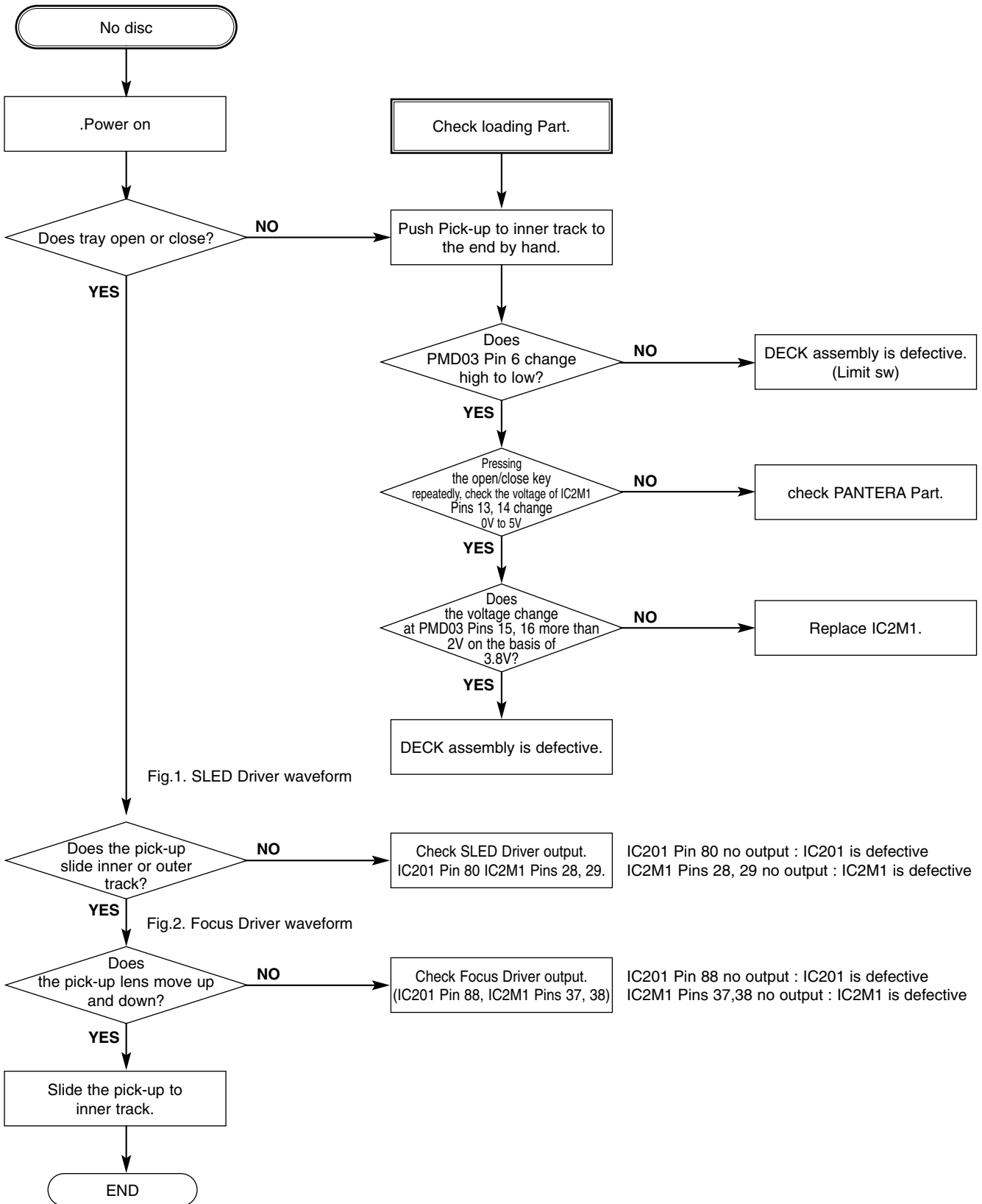


5. RF/Servo Circuit

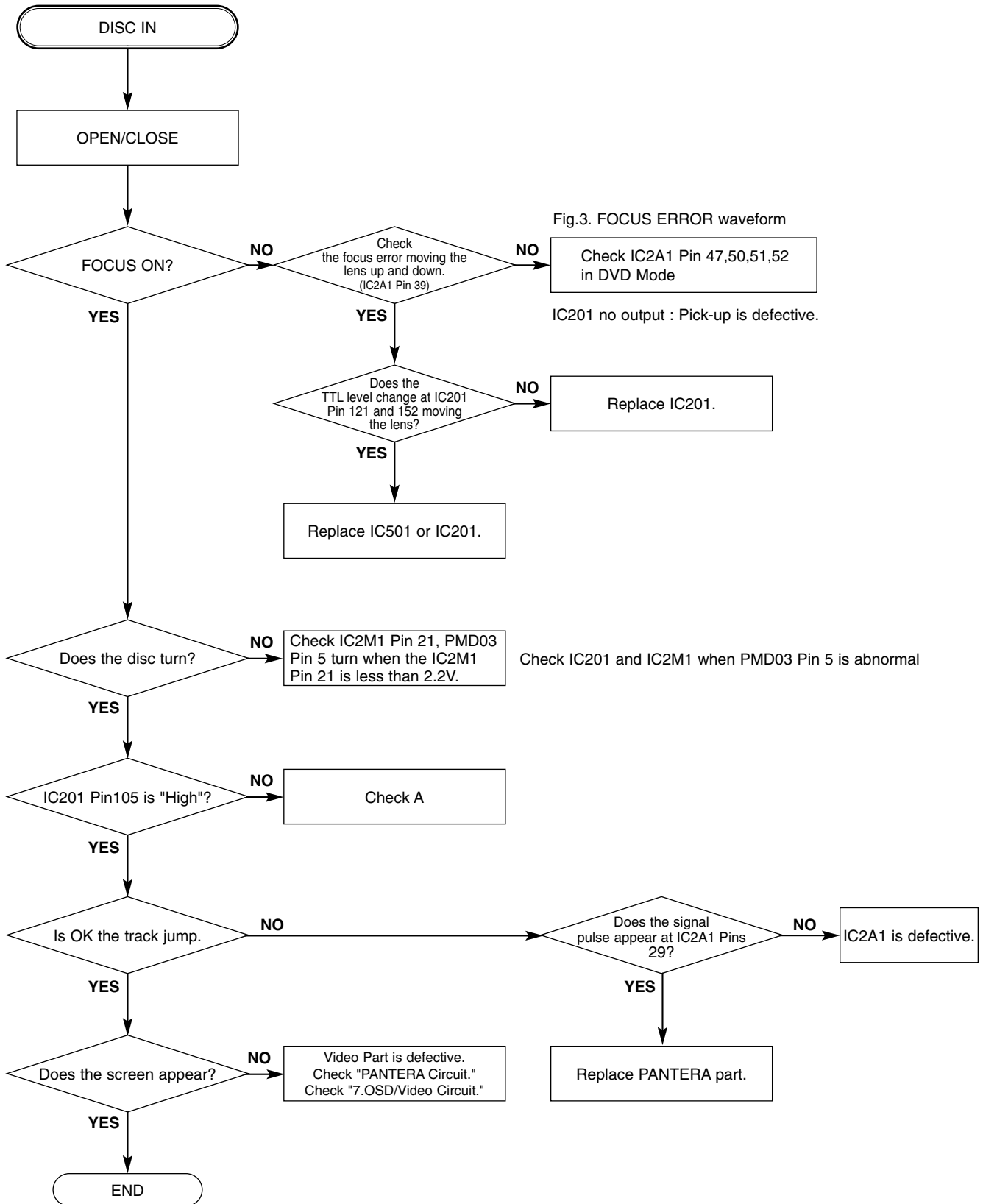
A.



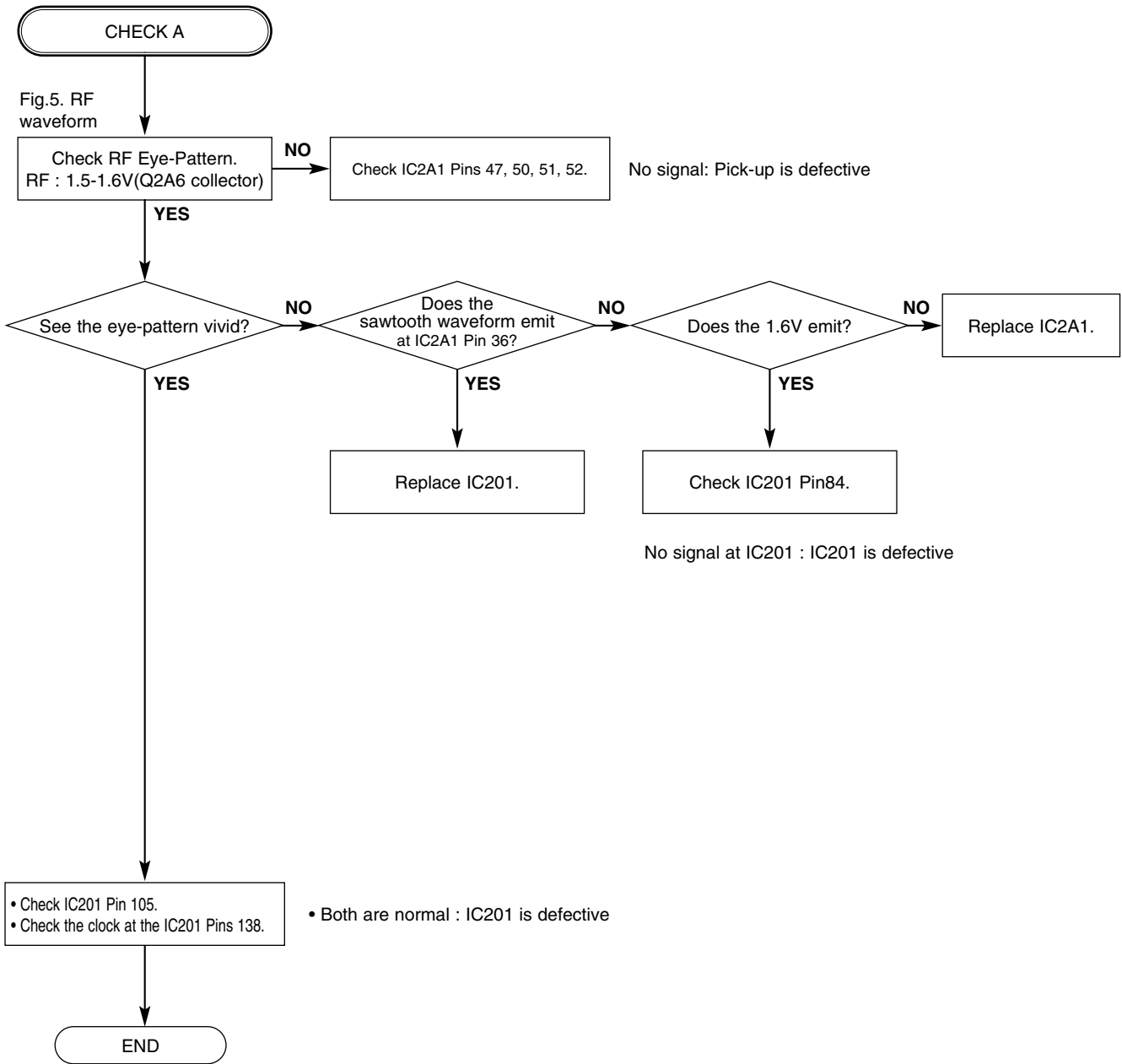
B.



C.

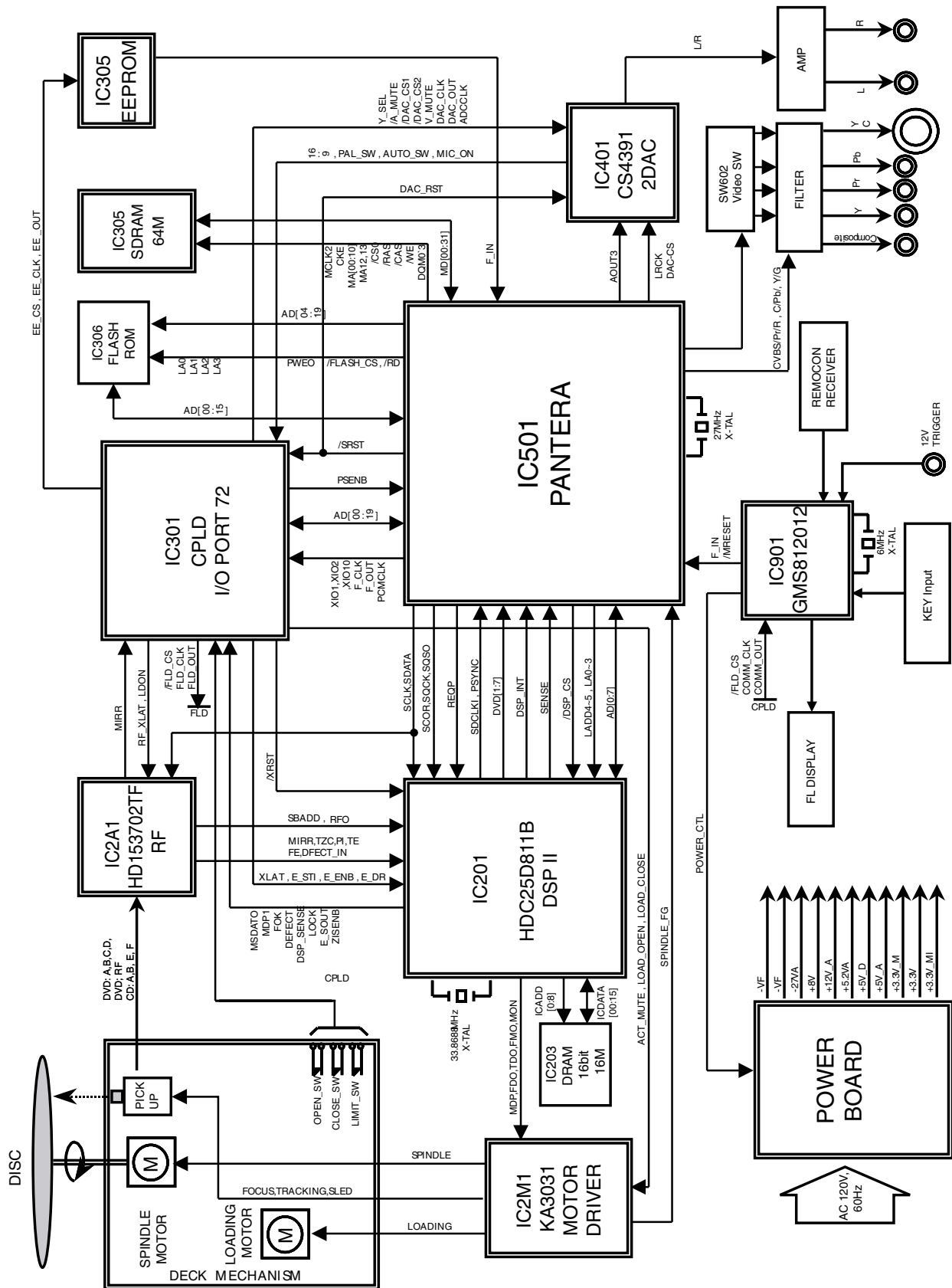


D.

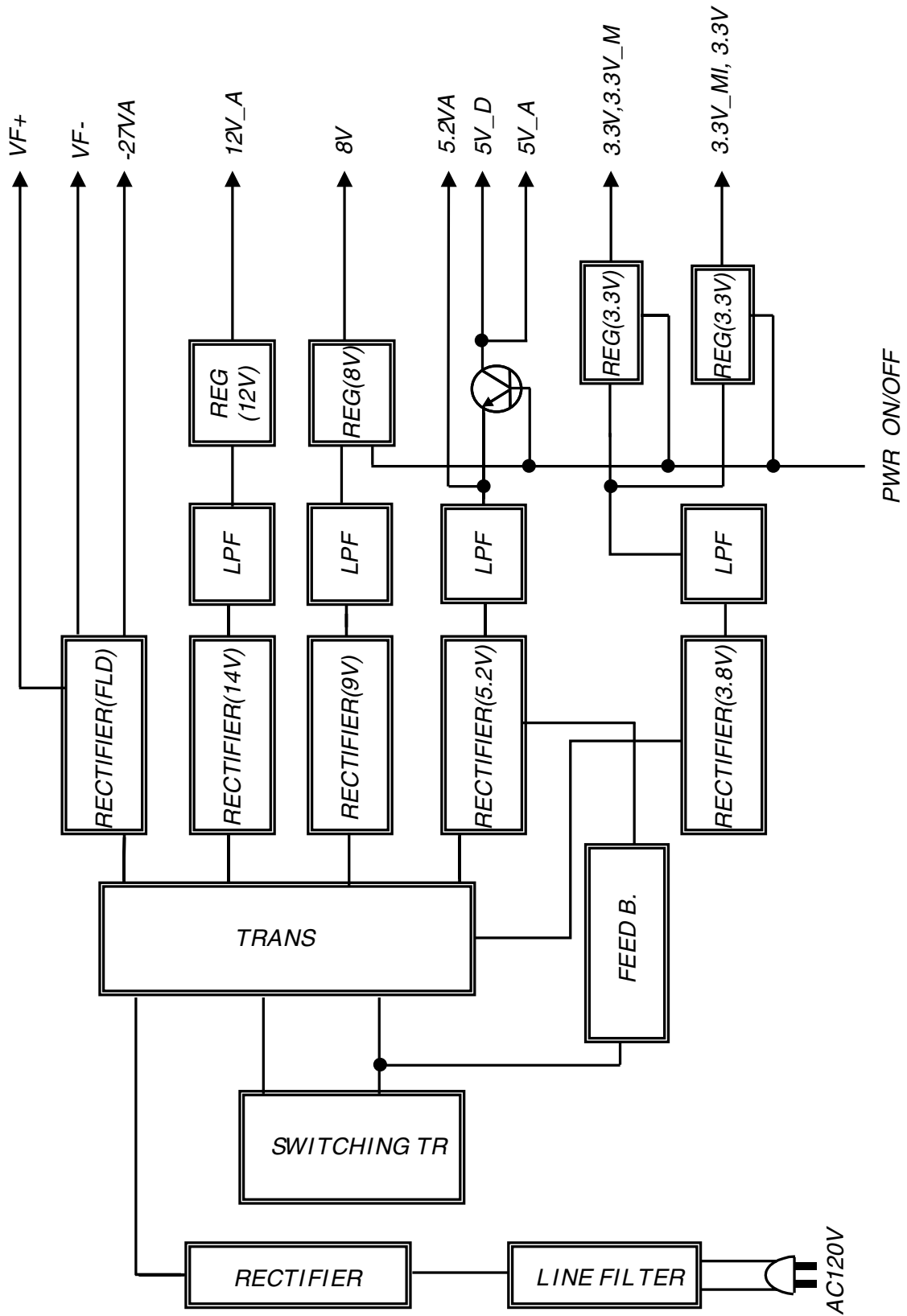


BLOCK DIAGRAMS

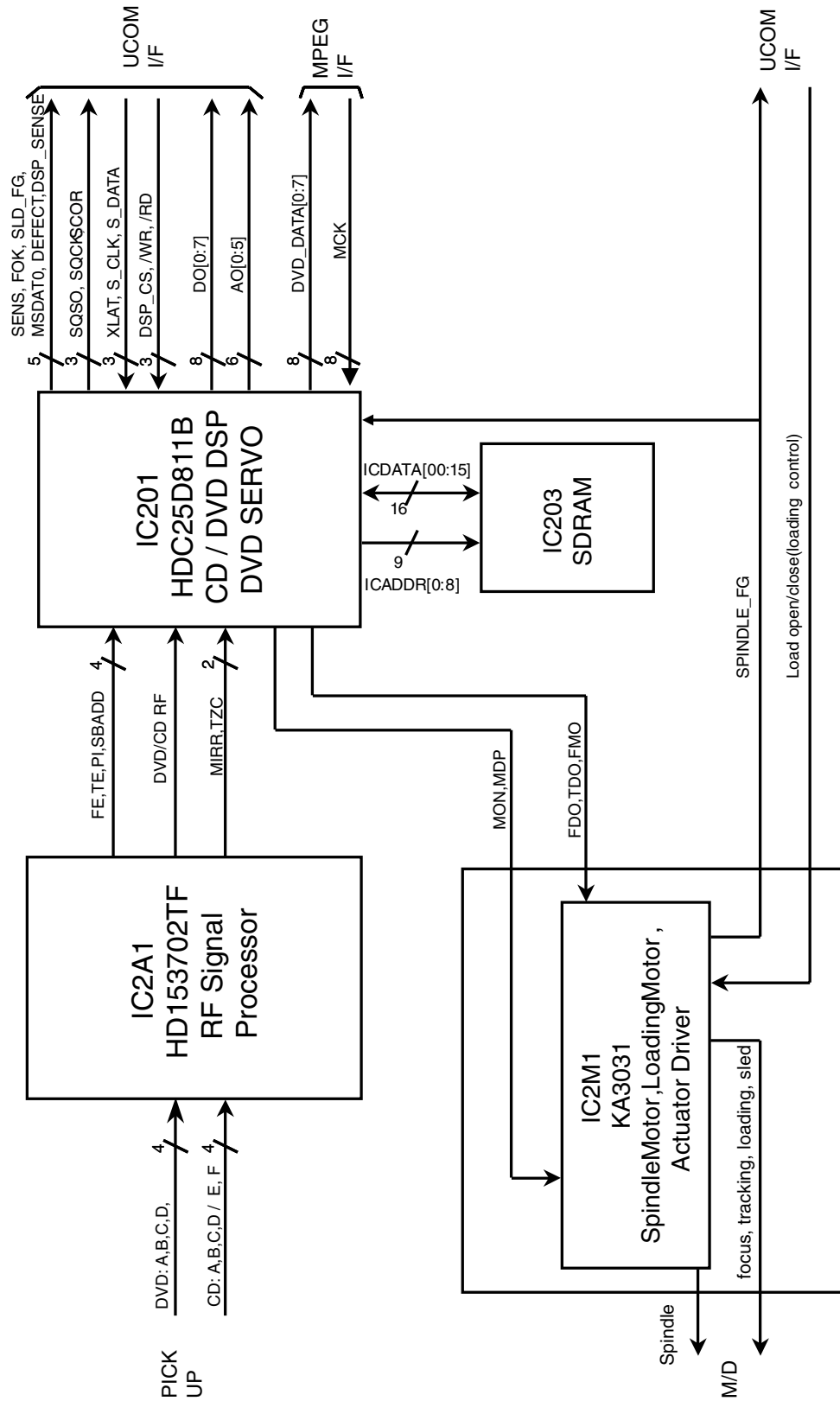
1. Overall Block Diagram



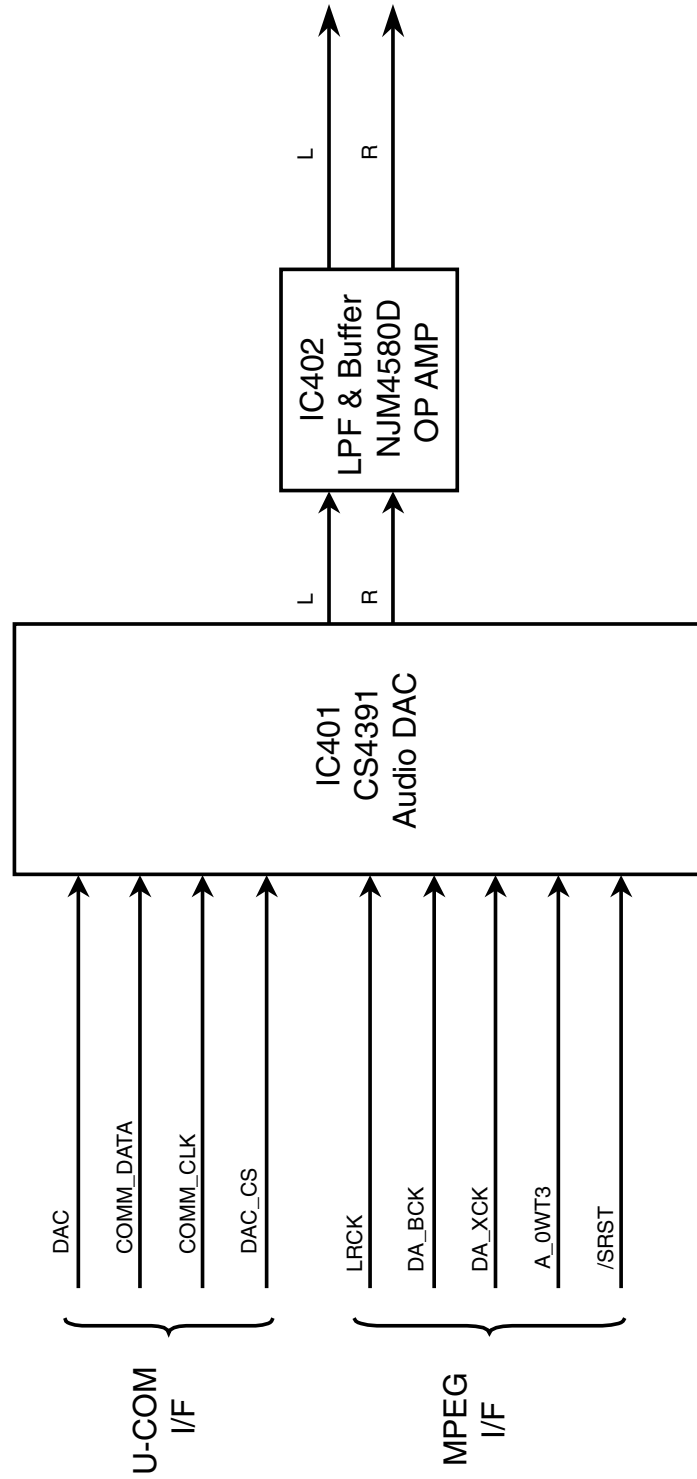
2. Power(SMPS) Block Diagram



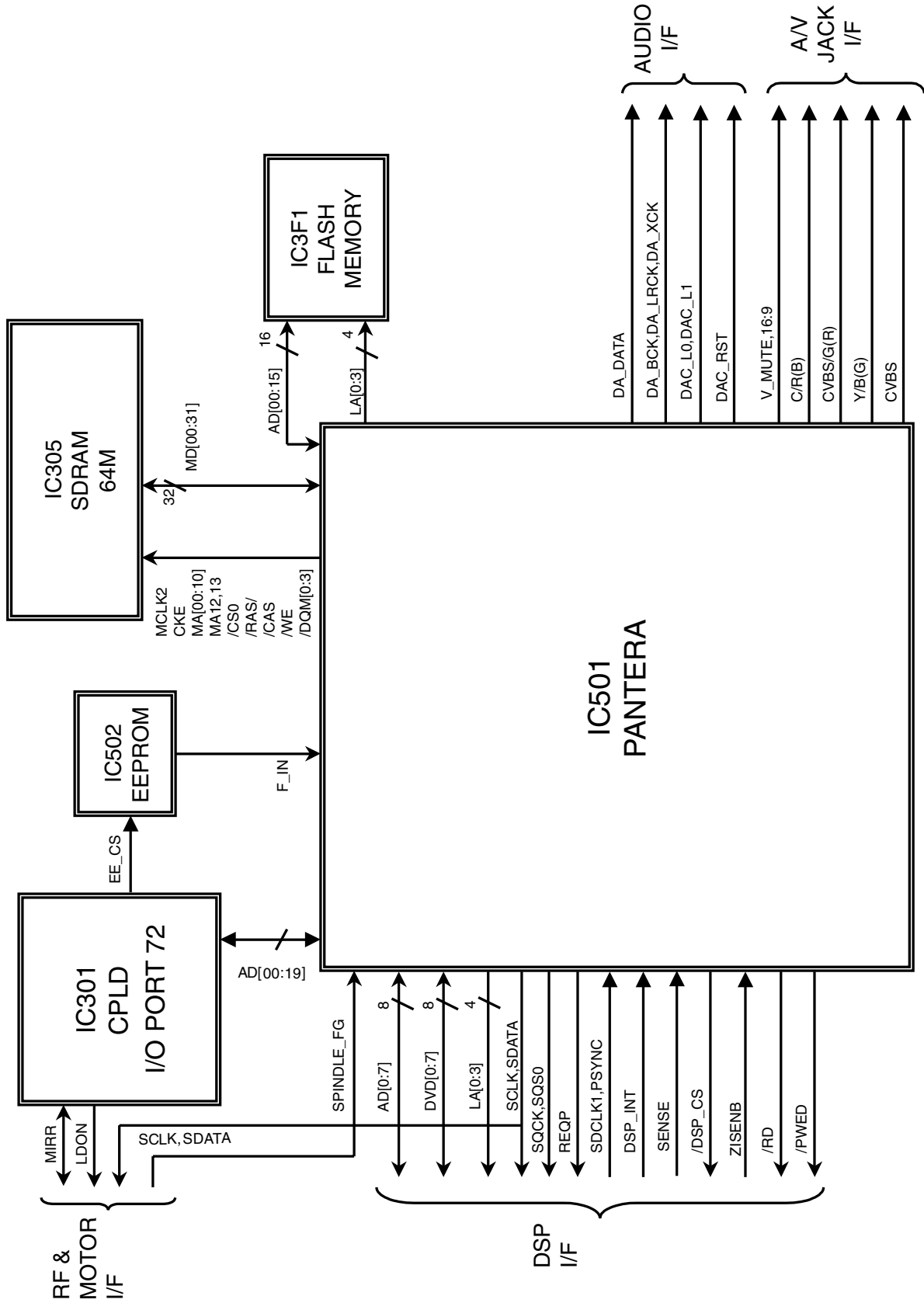
3. RF/CD DSP/DVD DSP/DVD SERVO Block Diagram



4. Audio Block Diagram



5. MPEG Block Diagram



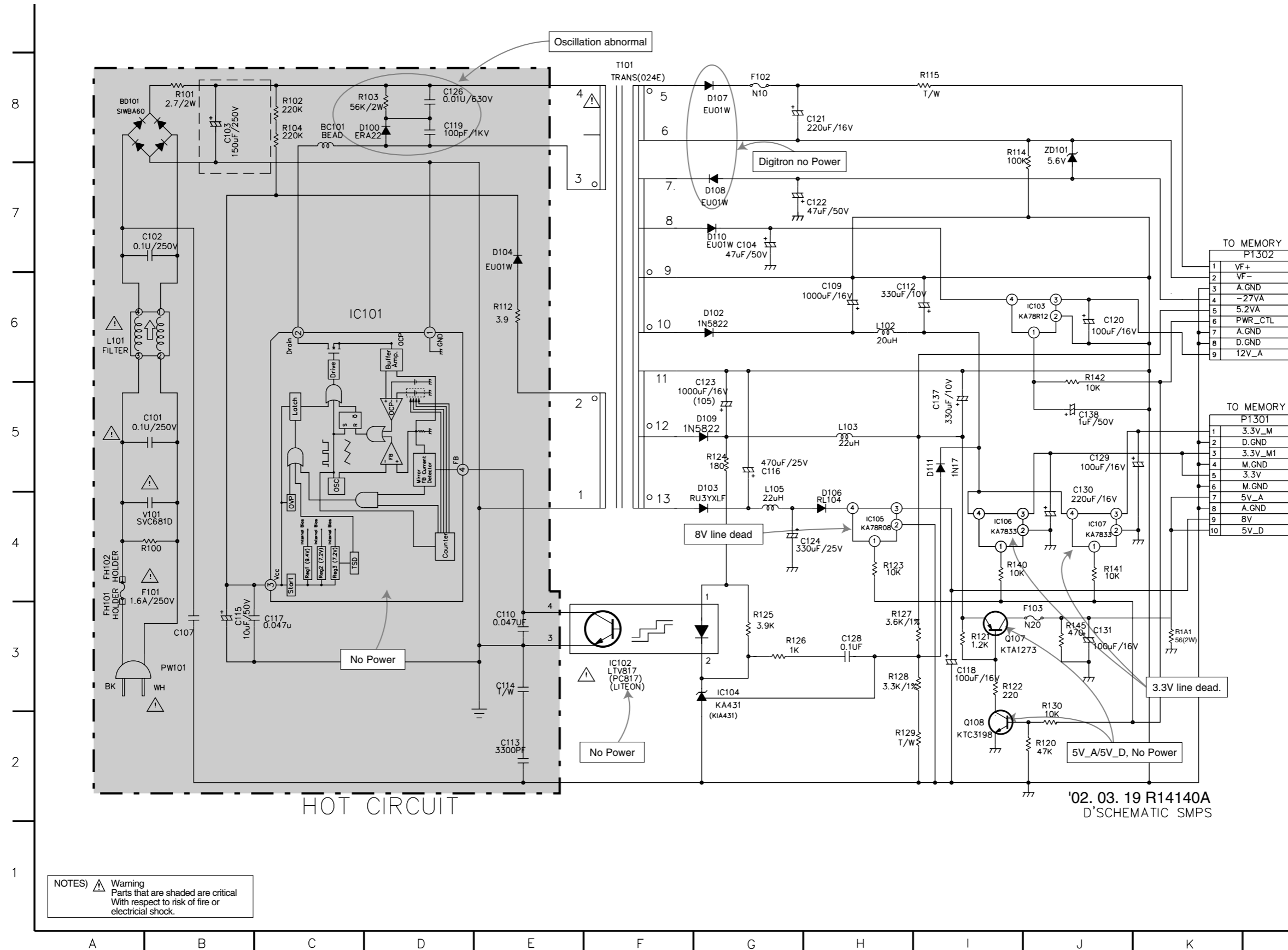
CIRCUIT DIAGRAM

1. POWER(SMPS) CIRCUIT DIAGRAM

- NOTE :**
1. Shaded(■) parts are critical for safety. Replace only with specified part number.
 2. Voltages are DC-measured with a digital voltmeter during Play mode.

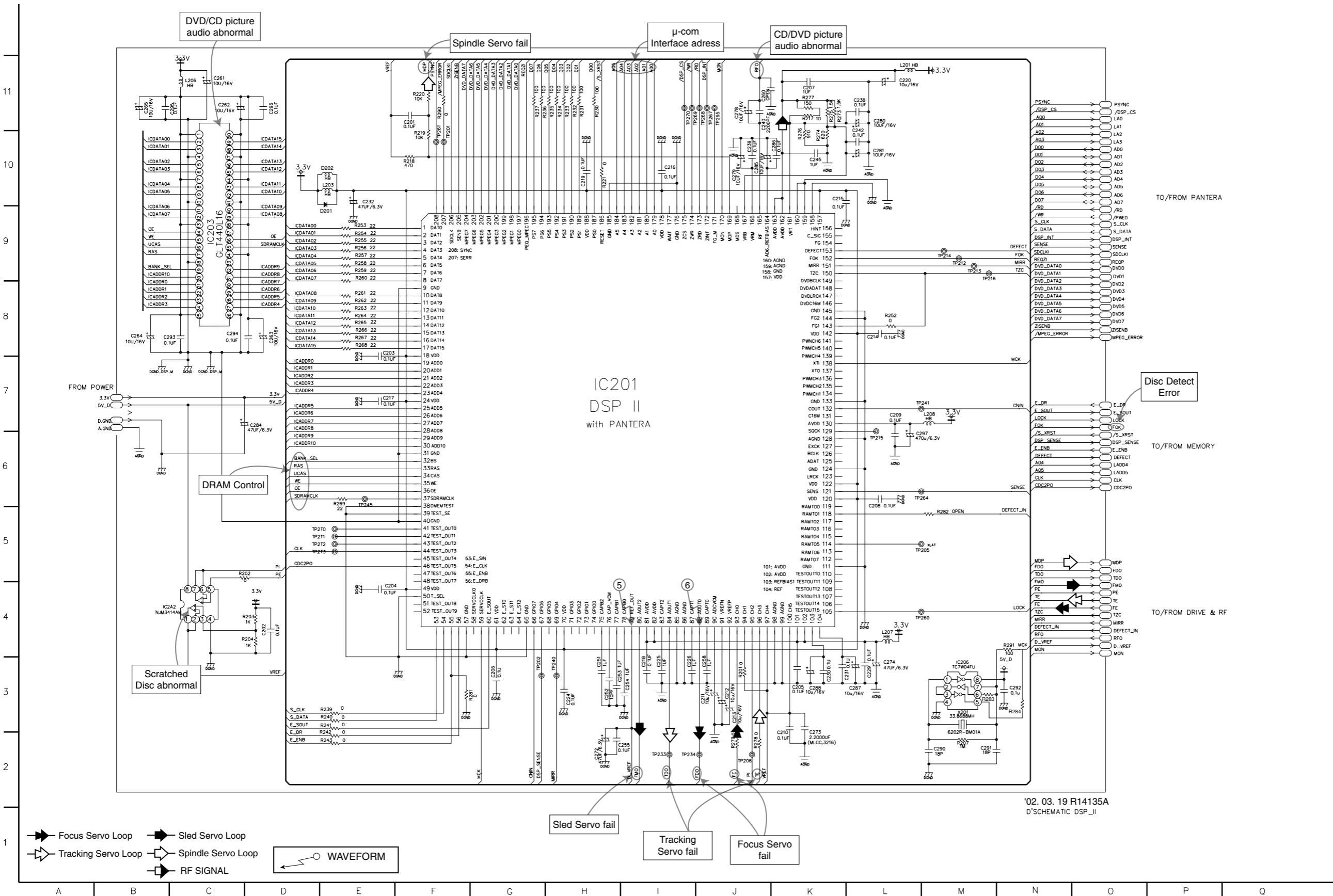
LOCATION GUIDE

BC101	C8
BD101	A8
C101	B5
C102	A7
C103	B8
C104	C7
C107	B3
C109	H6
C110	E3
C112	H6
C113	E2
C114	E3
C115	B3
C116	G5
C117	C3
C118	I3
C119	D8
C120	J6
C121	H8
C122	H7
C123	G5
C124	G4
C126	D8
C128	H3
C129	J5
C130	J4
C131	J3
C137	I5
C138	J5
D100	C8
D102	G6
D103	G5
D104	E7
D106	H4
D107	G8
D108	G7
D109	G5
D110	G7
D111	I5
F102	G8
F103	J3
FH101	A3
FH102	A4
IC101	C6
IC102	F3
IC103	J6
IC104	G3
IC105	H4
IC106	I4
IC107	J4
L101	A6
L102	H6
L103	H5
L105	G5
P1301	K5
P1302	L7
PW101	B3
Q107	I3
Q108	I2
R100	A4
R101	B8
R102	C8
R103	C8
R104	C8
R112	E6
R114	I8
R115	I8
R120	J2
R121	I3
R122	I3
R123	H4
R124	G5
R125	G3
R126	G3
R127	H3
R128	H3
R129	H2
R130	J3
R140	I4
R141	J4
R142	J6
R145	J3
T101	F8
V101	A4
ZD101	J8

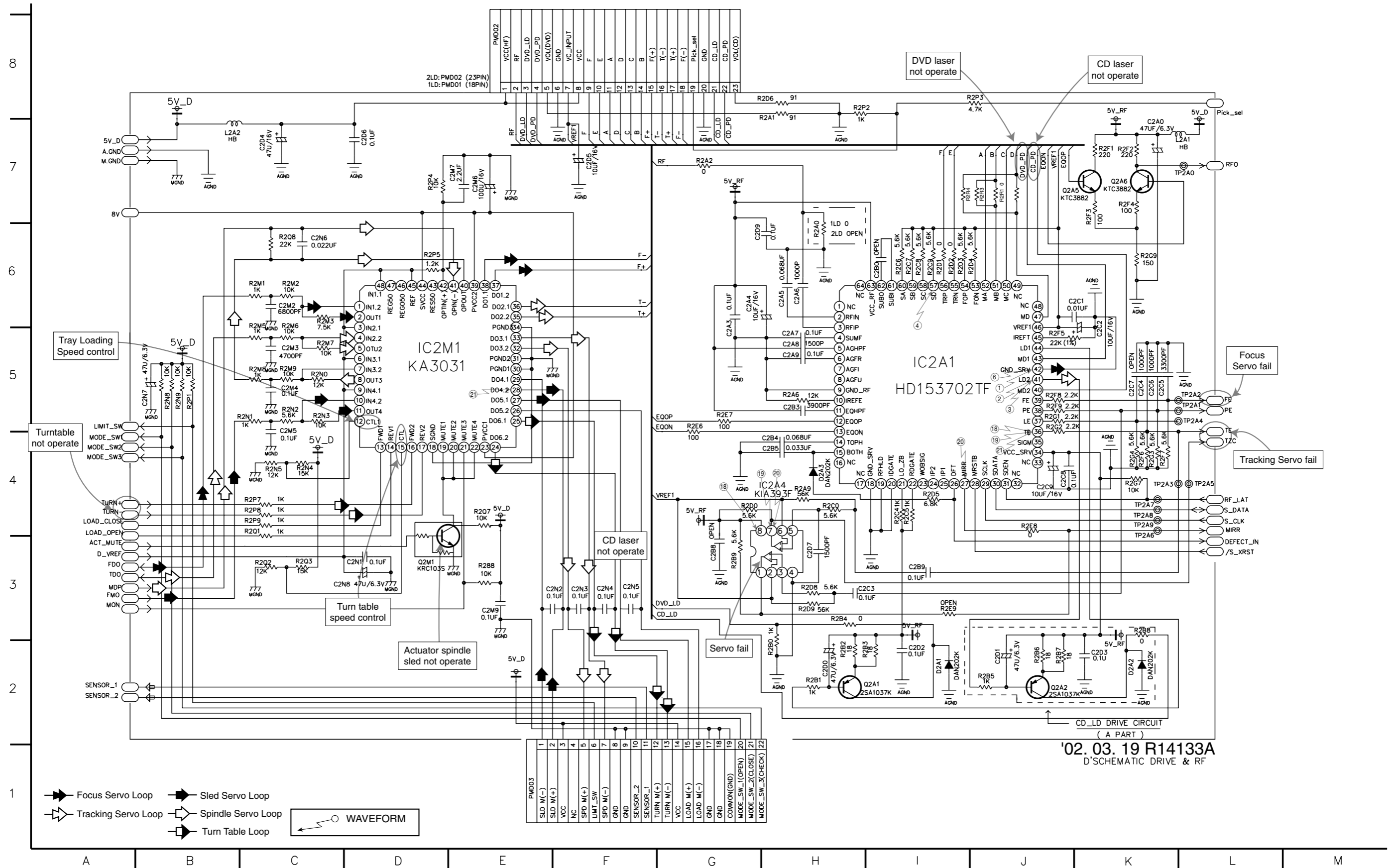


NOTES) ⚠ Warning
Parts that are shaded are critical
With respect to risk of fire or
electrical shock.

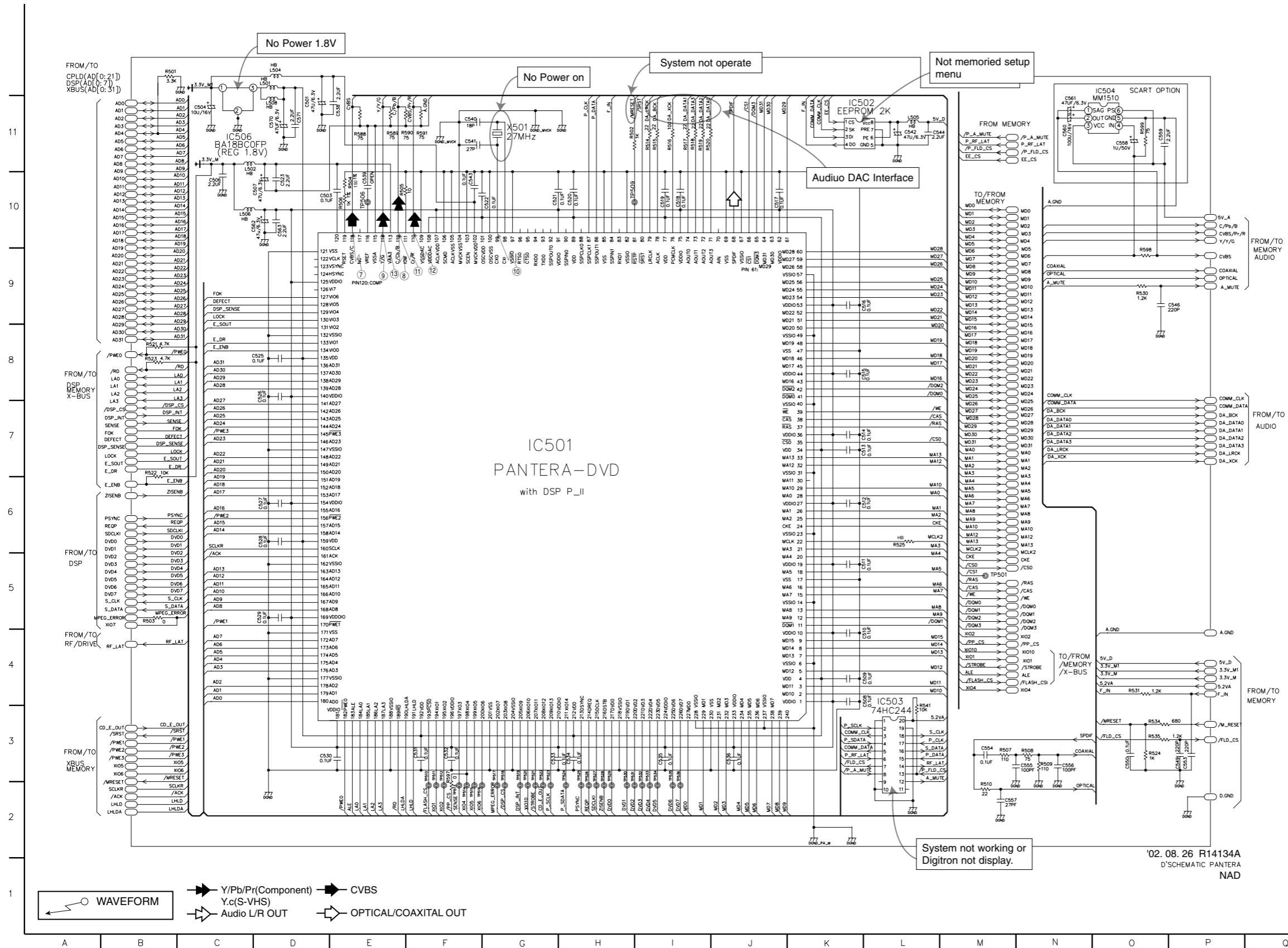
2. DVD DSP CIRCUIT DIAGRAM



3. DRIVE & RF CIRCUIT DIAGRAM



4. PANTERA CIRCUIT DIAGRAM

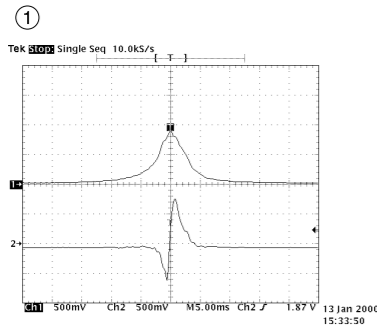


LOCATION GUIDE

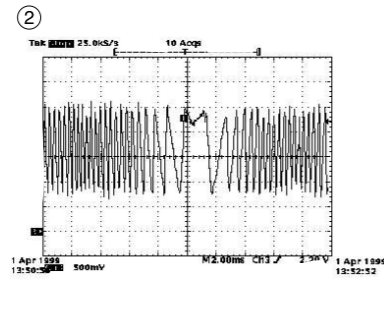
C501	D11	TP501	M5
C503	D10	TP506	E10
C504	C11	TP509	I10
C506	C10	TP510	F3
C507	D10	TP511	F3
C508	L3	TP512	F3
C509	L4	TP513	F2
C510	L4	TP514	F2
C511	L5	TP515	F2
C512	L6	TP516	F2
C513	L7	TP517	G3
C514	L7	TP518	G3
C515	L8	TP519	G3
C516	L9	TP520	G3
C517	J10	TP521	G3
C518	I10	TP522	G3
C519	I10	TP523	G3
C520	H10	TP524	H3
C521	G10	TP525	H3
C522	G10	TP526	H3
C523	H3	TP527	H3
C525	C8	TP528	H3
C526	D7	TP529	H3
C527	D6	TP530	H3
C528	D6	TP531	H3
C529	D5	TP532	I3
C530	D3	TP533	I3
C531	F3	TP534	I3
C532	F3	TP535	I3
C533	G3	TP536	I3
C534	H3	X501	G11
C535	I3	XI05	B3
C536	J3	XI06	B3
C538	E11	XI06	B3
C539	E10	XI06	F2
C540	F11	XI07	B5
C541	F11	ZISENB	H2
C542	L11	ZISENB	B6
C543	F10	ZISENB	B6
C544	L11		
C546	P9		
C549	P3		
C550	O3		
C553	P3		
C554	M3		
C555	N3		
C556	N2		
C557	M2		
C558	O11		
C559	O11		
C560	N11		
C561	N11		
C562	D10		
C563	D10		
C570	D11		
C571	D11		
IC501	G7		
IC502	K11		
IC503	L4		
IC504	O2		
IC506	C11		
L501	D12		
L502	C11		
L504	D12		
L505	L11		
L506	C10		
L508	D11		
R501	B12		
R502	H11		
R503	B5		
R504	E10		
R505	E10		
R506	E10		
R507	M3		
R508	N3		
R509	N3		
R510	M2		
R514	I11		
R515	I11		
R516	I11		
R517	I11		
R518	I11		
R519	I11		
R520	I11		
R521	B8		
R522	B7		
R523	B8		
R524	O3		
R525	L6		
R530	O9		
R531	O4		
R534	O3		
R535	O3		
R541	L3		
R548	E11		
R589	E11		
R590	E11		
R591	F11		
R597	F2		
R598	O9		
R599	O11		

'02. 08. 26 R14134A
D'SCHEMATIC PANTERA
NAD

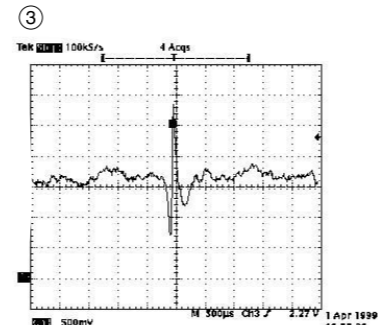
• WAVEFORMS



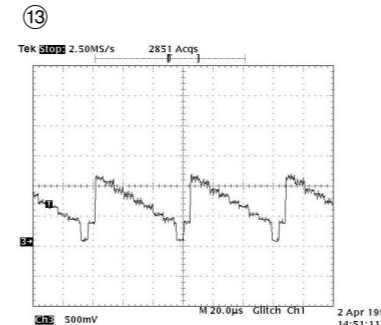
IC2A1 Pin 42, Focus Error



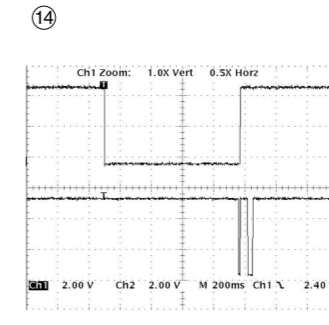
IC2A1 Pin 41 Tracking Error



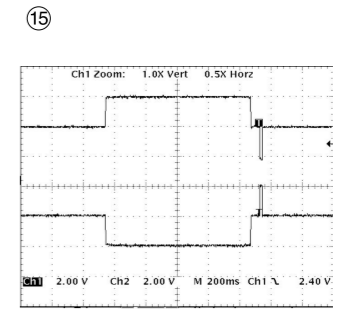
IC2A1 Pin 41 VBR TRACKING Error



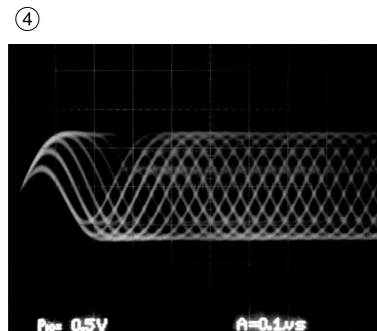
IC501 Pin 114 Component Y



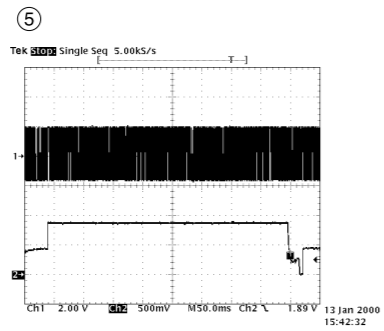
TURN(+)(-) Signal from µ-com



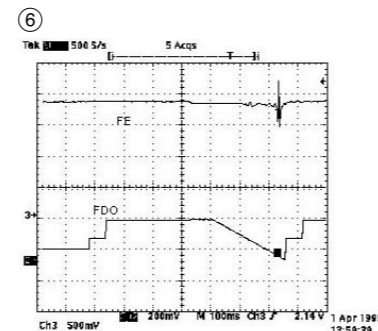
TURN(+)(-) from Motor Drive Forward turn



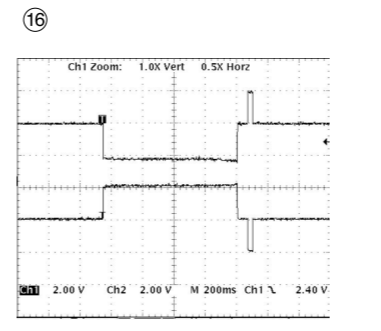
IC2A1 Pin 57, RF



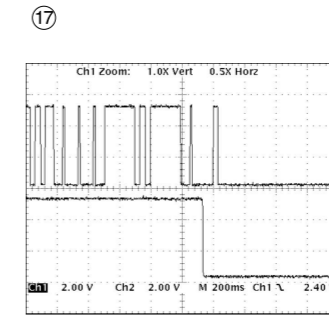
IC201 Pin 88, SLED Drive(FMO)



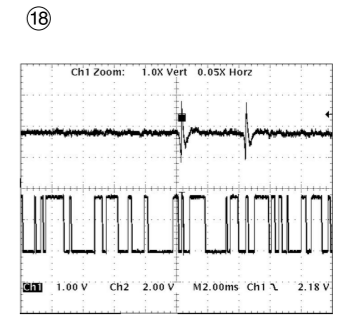
IC2A1 Pin42, Focus Error(in Focus Search)
IC201 Pin 83, Focus Drive(FDO)



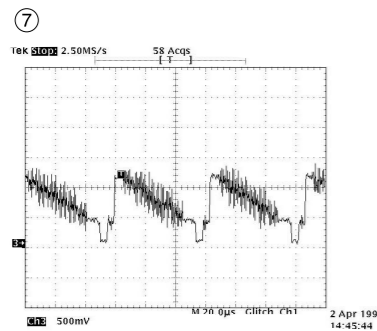
TURN(+)(-) from Motor Drive Reverse turn, IC301 6, 8



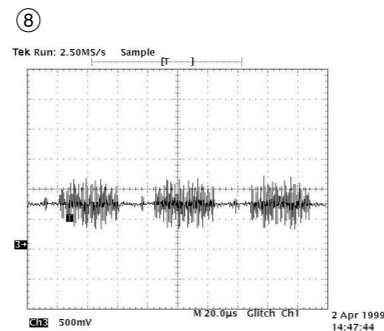
Sensor 1 (disc position)
Sensor 2 (disc ready),
IC301 78,89



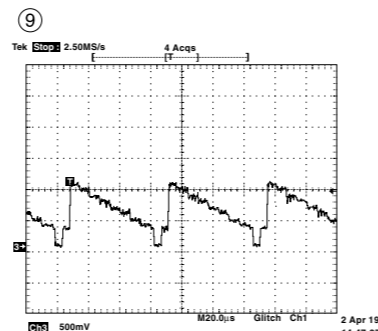
TE/TZC After tracking servo ON (Play mode),
IC2A1 36, IC2A4 7



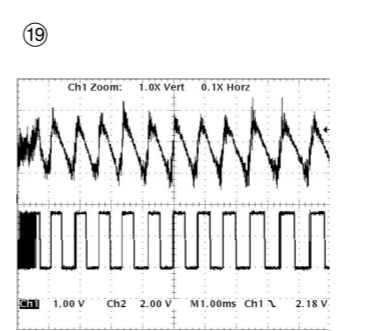
IC501 Pin 118, Composite



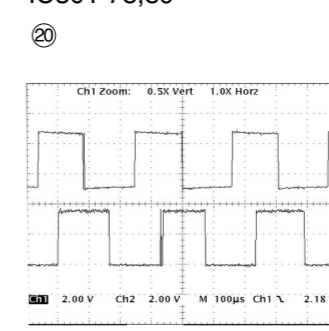
IC501 Pin 112, Chrominance (Super video out Mode)



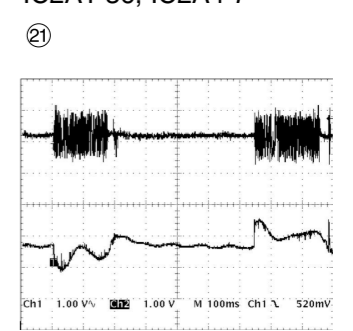
IC501 Pin 114, Luminance (Super video out Mode)



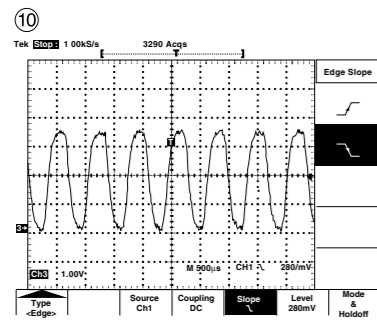
TE/TZC Before tracking servo ON



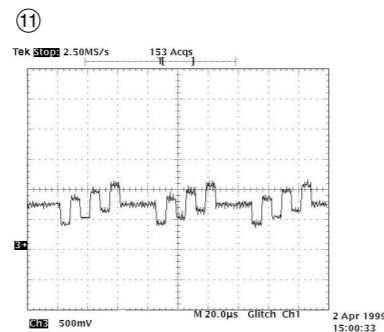
TZC/MIRR (Search mode)
IC2A4 7, IC2A1 27



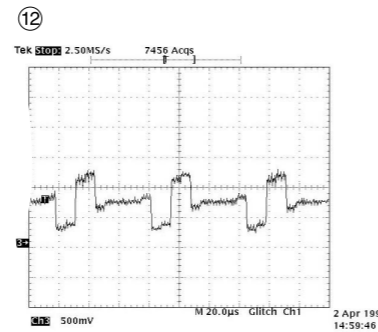
TE/SLD(+) Search mode (outer => inner),
IC2A1 36, IC2M1 28



IC501 Pin 99, PANTER MAIN

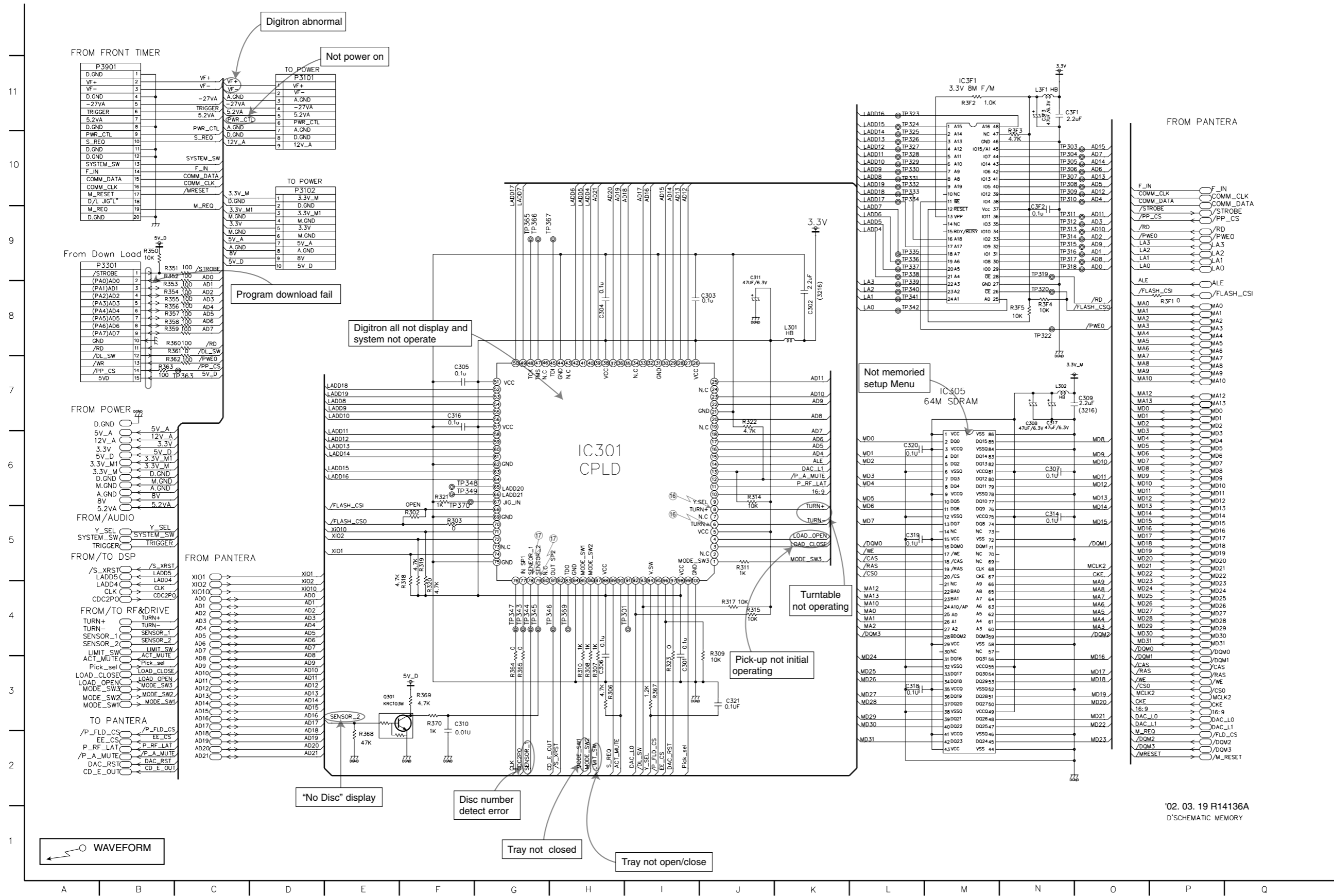


IC501 Pin 112 Component Pb



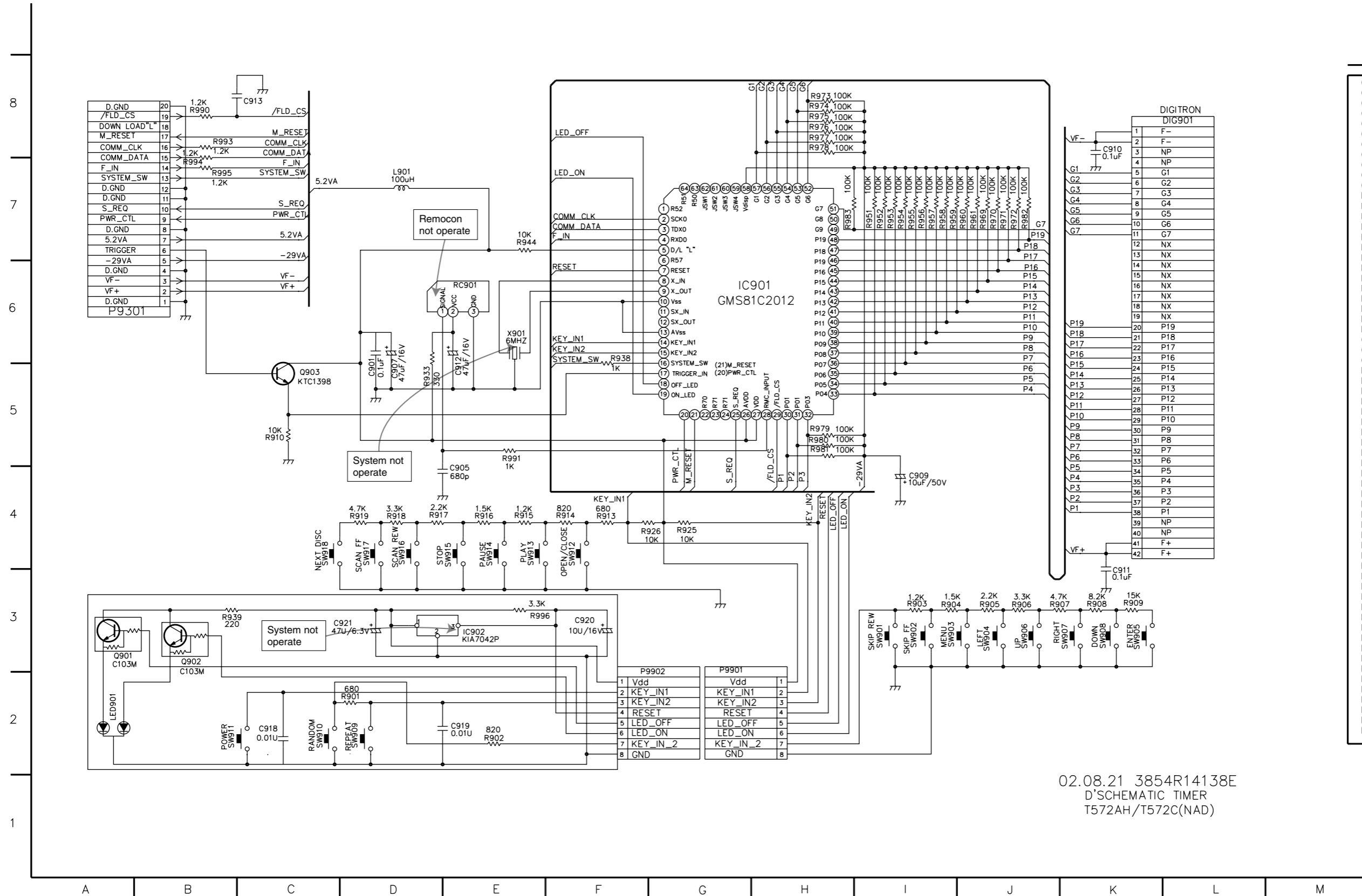
IC501 Pin 110 Component Pr

5. MEMORY CIRCUIT DIAGRAM



'02. 03. 19 R14136A
D'SCHEMATIC MEMORY

6. TIMER & KEY CIRCUIT DIAGRAM

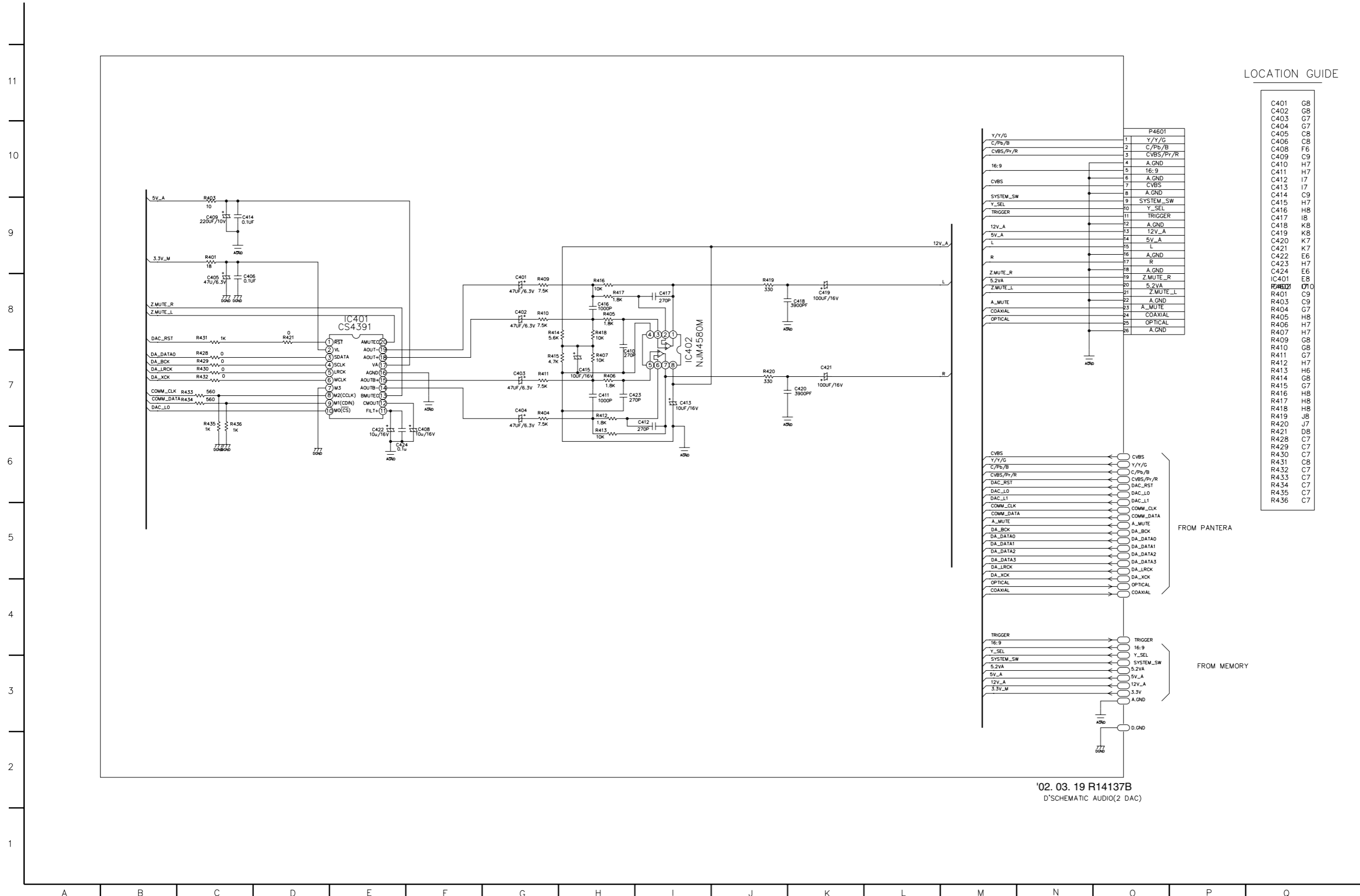


LOCATION GUIDE

C901	D5	R971	J7
C905	E4	R972	J7
C907	D5	R973	H8
C909	I4	R974	H8
C910	K8	R975	H8
C911	K3	R976	H8
C912	E5	R977	H8
C913	C8	R978	H8
C918	C2	R979	H5
C919	E2	R980	H5
C920	F3	R981	H5
DIG901	L8	R982	J7
IC901	G6	R983	H7
IC902	E3	R990	B8
L901	D7	R991	E5
LED901	A2	R993	B8
LED_OFFF8	B7	R994	B7
LED_OFFH4	B7	R995	B7
LED_ON F7	B7	R996	E3
LED_ON H4	H4	RC901	E6
M_RESETG4	G4	RESET	F6
M_RESETC8	C8	RESET	H4
P9301	A6	SW901	I3
P9901	G2	SW902	I3
P9902	F2	SW903	I3
Q901	A3	SW904	J3
Q902	B3	SW905	K3
Q903	C5	SW906	J3
R901	D2	SW907	K3
R902	E2	SW908	K3
R903	I3	SW909	D2
R904	I3	SW910	C2
R905	J3	SW911	B2
R906	J3	SW912	F4
R907	J3	SW913	E4
R908	K3	SW914	E4
R909	K3	SW915	E4
R910	C5	SW916	D4
R913	F4	SW917	D4
R914	F4	SW918	C4
R915	E4	X901	E6
R916	E4		
R917	D4		
R918	D4		
R919	D4		
R925	G4		
R926	F4		
R933	D5		
R938	F6		
R939	B3		
R944	E7		
R951	I7		
R952	I7		
R953	I7		
R954	I7		
R955	I7		
R956	I7		
R957	I7		
R958	I7		
R959	I7		
R960	J7		
R961	J7		
R969	J7		
R970	J7		

02.08.21 3854R14138E
D'SCHEMATIC TIMER
T572AH/T572C(NAD)

7. AV CIRCUIT DIAGRAM

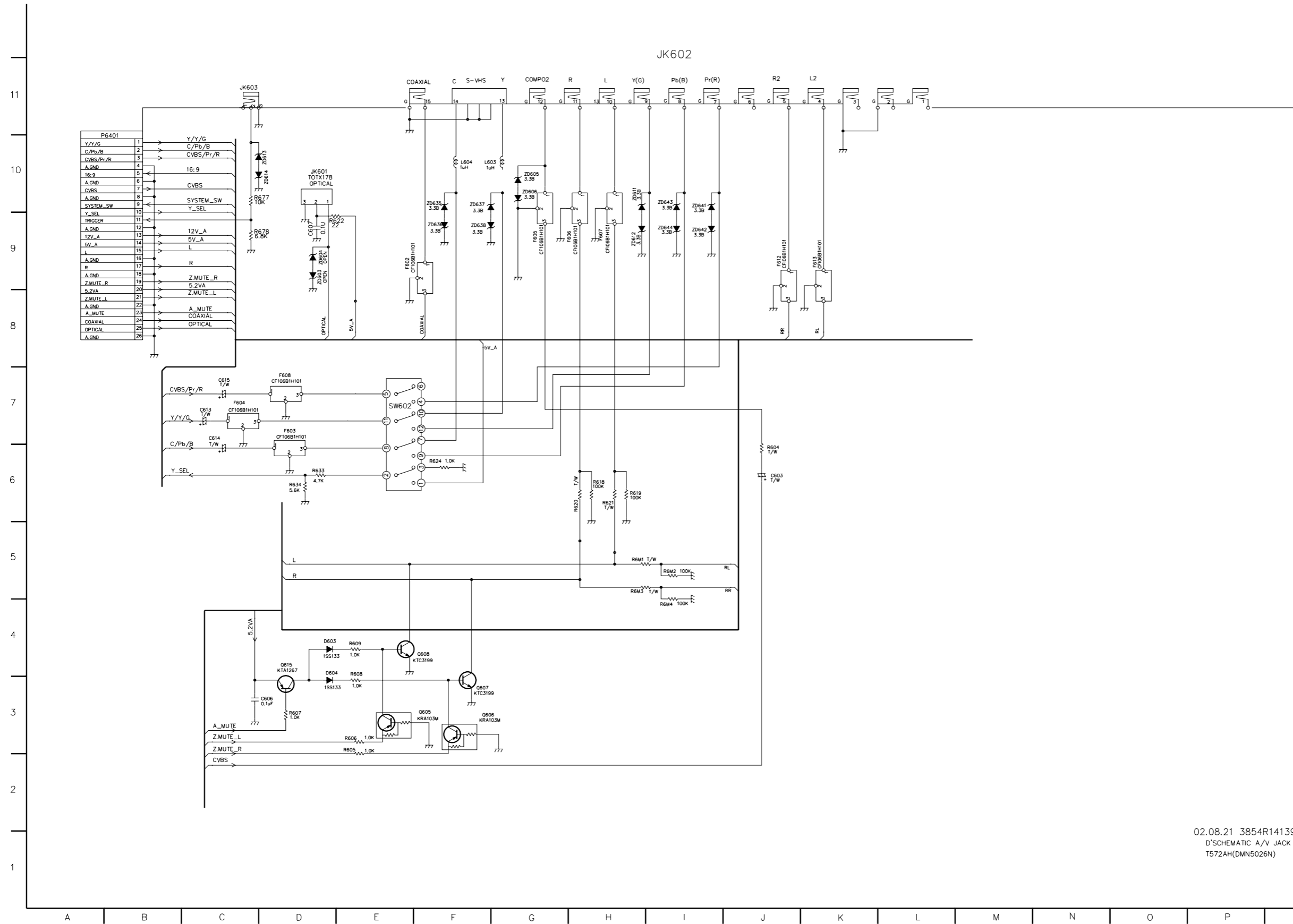


LOCATION GUIDE

C401	G8
C402	G8
C403	G7
C404	G7
C405	C8
C406	C8
C408	F6
C409	C9
C410	H7
C411	H7
C412	I7
C413	I7
C414	C9
C415	H7
C416	H8
C417	I8
C418	K8
C419	K8
C420	K7
C421	K7
C422	E6
C423	H7
C424	E6
IC401	E8
IC402	O7
R401	C9
R403	C9
R404	G7
R405	H8
R406	H7
R407	H7
R409	G8
R410	G8
R411	G7
R412	H7
R413	H6
R414	G8
R415	G7
R416	H8
R417	H8
R418	H8
R419	J8
R420	J7
R421	D8
R422	C7
R423	C7
R429	C7
R430	C7
R431	C8
R432	C7
R433	C7
R434	C7
R435	C7
R436	C7

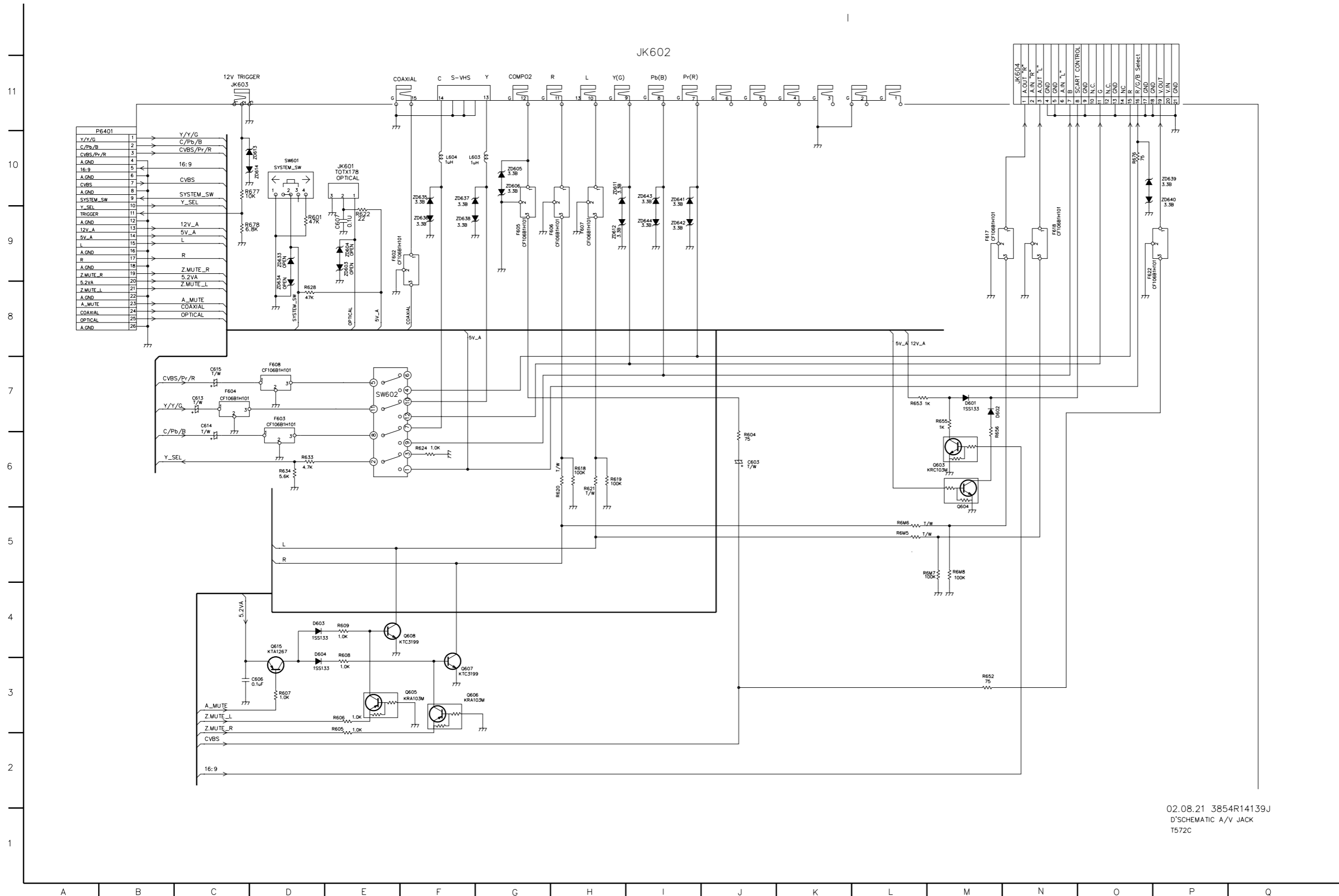
'02. 03. 19 R14137B
D'SCHEMATIC AUDIO(2 DAC)

8. JACK CIRCUIT DIAGRAM(T572AH)



02.08.21 3854R14139H
 D'SCHEMATIC A/V JACK
 T572AH(DMN5026N)

9. JACK CIRCUIT DIAGRAM(T572C)



02.08.21 3854R14139J
 D'SCHEMATIC A/V JACK
 T572C

MODE PIN NO.	LEVEL(V)
164	2.08
165	2.15
166	2.16
167	1.636
168	0
169	2.04
170	0
171	0
172	3.15
173	3.25
174	3.26
175	3.25
176	0
177	3.24
178	3.24
179	2.27~1.97
180	0.22~0.18
181	1~1.3
182	0
183	0
184	0
185	0
186	3.26
187	1.3~1.27
188	3.25
189	1.58
190	1.53
191	1.52
192	0
193	0.52
194	1.5~1.6
195	0.63~0.68
196	2.7~2.8
197	2.7~2.8
198	185mV~1V
199	2.4~2.9
200	17mV~1V
201	17mV~1V
202	17mV~1V
203	17mV~1V
204	17mV~1V
205	2.8
206	1.618
207	3.23
208	3.23

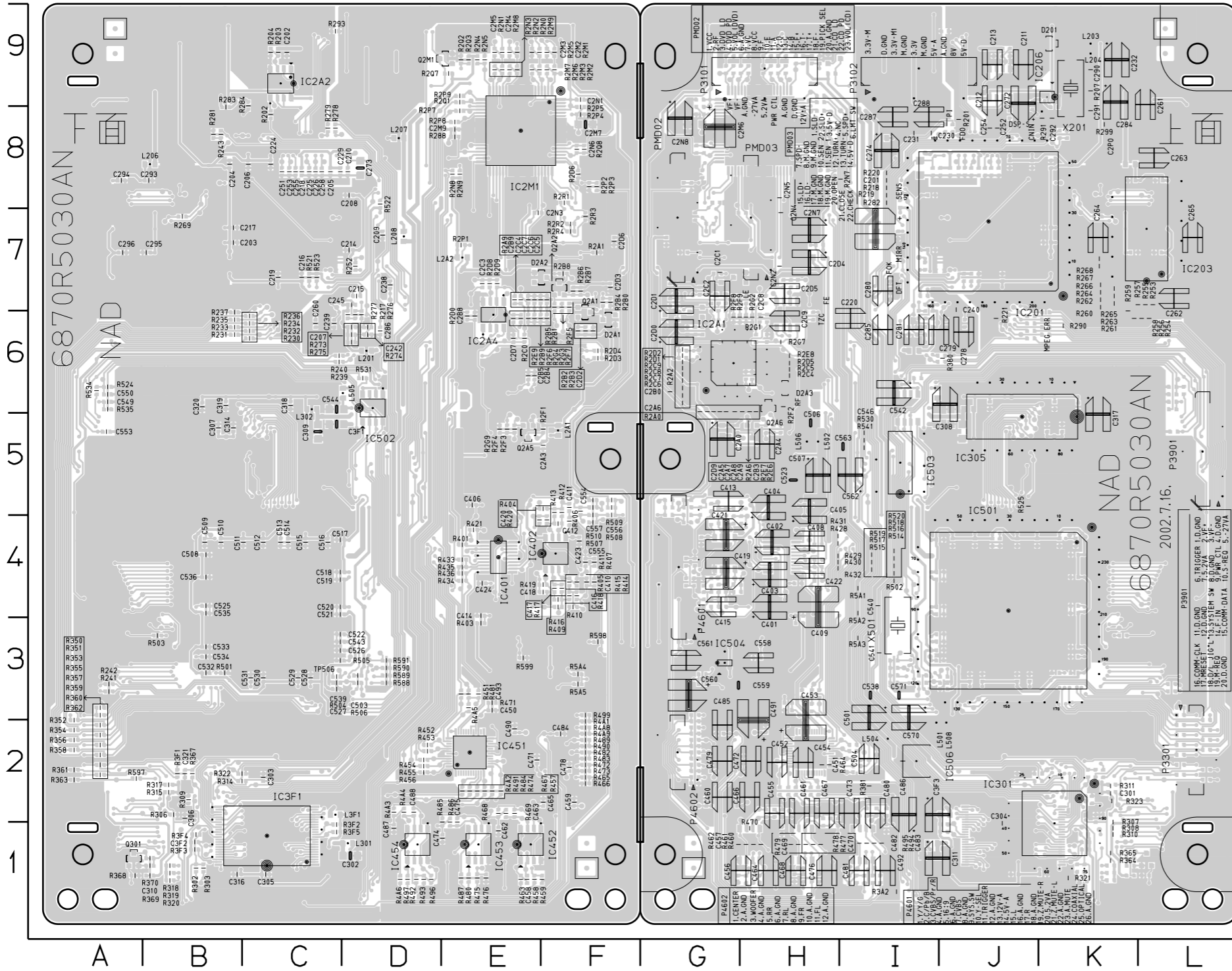
MODE PIN NO.	LEVEL(V)
DEIVE&RF	
IC 2 A 1	
1	
2	3.1V
3	2.5~3.7
4	2
5	3.4
6	2.5
7	NC
8	NC
9	
10	1.2V
11	2.78V
12	3.0~3.6
13	3.0~3.6
14	2.7V
15	1.9V
16	
17	
18	
19	
20	
21	5.18V
22	5.18V
23	
24	
25	
26	0~3.8V
27	0V~4V
28	3.3V
29	5.2V
30	0
31	0V
32	
33	
34	5.18V
35	
36	2.2V~3.5
37	2.2V
38	3.4~3.8V
39	2.2~2.6
40	0V
41	5V
42	
43	0.4V
44	4V
45	2.4V
46	2.4V
47	2.4~2.6V
48	
49	
50	2.4V~2.6V
51	2.4V~2.6V
52	2.4V~2.6V
53	2.4V

MODE PIN NO.	LEVEL(V)
54	2.4V
55	2.4V
56	2.4V
57	2.4V
58	2.4V
59	2.4V
60	2.4V
61	0V
62	0V
63	5V
64	0V
IC 2 M 1	
1	2.16
2	2.22
3	2.16
4	2.16
5	2.16
6	2.15
7	0
8	2.58
9	2.16
10	2.16
11	2.22
12	2.23
13	2.25
14	0
15	0
16	2.25
17	0
18	0
19	0
20	0
21	0
22	0
23	8
24	3.73
25	3.73
26	3.73
27	3.73
28	3.82
29	3.61
30	0
31	0
32	4.68
33	2.78
34	0
35	3.7
36	3.75
37	3.84
38	3.6
39	8.01
40	1.94
41	0~1.94
42	1.94
43	0

MODE PIN NO.	LEVEL(V)
44	8.01
45	2.16
46	0
47	7.96
48	2.1

PRINTED CIRCUIT DIAGRAMS

1. MAIN P.C.B.OARD



LOCATION GUIDE

(BOTTOM SIDE)

C201	J8	C361	G3	PNF678238	K9	PNF678235	J9	PNF678235	O7	R2C6	G8	RS43	I3	TP331	J1
C211	J9	C371	K5	PNF678239	KL	PNF678236	K4	PNF678237	G8	R2C7	G8	TP201	K6	TP332	J1
C220	J6	C381	L1	PNF678240	LM	PNF678237	KL	PNF678238	G8	R2C8	G8	TP202	J8	TP333	J1
C230	J6	C391	L2	PNF678241	LN	PNF678238	KL	PNF678239	G8	R2C9	G8	TP203	J8	TP334	J1
C240	J7	C401	M1	PNF678242	MO	PNF678239	KL	PNF678240	H1	R2D1	G8	TP204	J8	TP335	J1
C250	J7	C411	M2	PNF678243	MP	PNF678240	KL	PNF678241	H1	R2D2	G8	TP205	J8	TP336	J2
C260	J7	C421	M3	PNF678244	MQ	PNF678241	KL	PNF678242	H1	R2D3	G8	TP206	J8	TP337	J1
C270	J7	C431	M4	PNF678245	MR	PNF678242	KL	PNF678243	H1	R2D4	G8	TP207	J8	TP338	J2
C280	J7	C441	M5	PNF678246	MS	PNF678243	KL	PNF678244	H1	R2D5	G8	TP208	J8	TP339	K3
C290	J7	C451	M6	PNF678247	MT	PNF678244	KL	PNF678245	H1	R2D6	G8	TP209	J8	TP340	J2
C300	J7	C461	M7	PNF678248	MU	PNF678245	KL	PNF678246	H1	R2D7	G8	TP210	J8	TP341	J2
C310	J7	C471	M8	PNF678249	MV	PNF678246	KL	PNF678247	H1	R2D8	G8	TP211	J8	TP342	K3
C320	J7	C481	M9	PNF678250	MW	PNF678247	KL	PNF678248	H1	R2D9	G8	TP212	J8	TP343	K1
C330	J7	C491	M10	PNF678251	MX	PNF678248	KL	PNF678249	H1	R2E1	G8	TP213	J8	TP344	I1
C340	J7	C501	N1	PNF678252	NY	PNF678249	KL	PNF678250	H1	R2E2	G8	TP214	J8	TP345	K1
C350	J7	C511	N2	PNF678253	NZ	PNF678250	KL	PNF678251	H1	R2E3	G8	TP215	J8	TP346	K1
C360	J7	C521	N3	PNF678254	OA	PNF678251	KL	PNF678252	H1	R2E4	G8	TP216	J8	TP347	K1
C370	J7	C531	N4	PNF678255	OB	PNF678252	KL	PNF678253	H1	R2E5	G8	TP217	J8	TP348	J2
C380	J7	C541	N5	PNF678256	OC	PNF678253	KL	PNF678254	H1	R2E6	G8	TP218	J8	TP349	J2
C390	J7	C551	N6	PNF678257	OD	PNF678254	KL	PNF678255	H1	R2E7	G8	TP219	J8	TP350	J2
C400	J7	C561	N7	PNF678258	OE	PNF678255	KL	PNF678256	H1	R2E8	G8	TP220	J8	TP351	J2
C410	J7	C571	N8	PNF678259	OF	PNF678256	KL	PNF678257	H1	R2E9	G8	TP221	J8	TP352	K3
C420	J7	C581	N9	PNF678260	OG	PNF678257	KL	PNF678258	H1	R2F1	G8	TP222	J8	TP353	J2
C430	J7	C591	N10	PNF678261	OH	PNF678258	KL	PNF678259	H1	R2F2	G8	TP223	J8	TP354	J2
C440	J7	C601	O1	PNF678262	OI	PNF678259	KL	PNF678260	H1	R2F3	G8	TP224	J8	TP355	J2
C450	J7	C611	O2	PNF678263	OJ	PNF678260	KL	PNF678261	H1	R2F4	G8	TP225	J8	TP356	J2
C460	J7	C621	O3	PNF678264	OK	PNF678261	KL	PNF678262	H1	R2F5	G8	TP226	J8	TP357	J2
C470	J7	C631	O4	PNF678265	OL	PNF678262	KL	PNF678263	H1	R2F6	G8	TP227	J8	TP358	J2
C480	J7	C641	O5	PNF678266	OM	PNF678263	KL	PNF678264	H1	R2F7	G8	TP228	J8	TP359	J2
C490	J7	C651	O6	PNF678267	ON	PNF678264	KL	PNF678265	H1	R2F8	G8	TP229	J8	TP360	J2
C500	J7	C661	O7	PNF678268	OO	PNF678265	KL	PNF678266	H1	R2F9	G8	TP230	J8	TP361	J2
C510	J7	C671	O8	PNF678269	OP	PNF678266	KL	PNF678267	H1	R2G1	G8	TP231	J8	TP362	K3
C520	J7	C681	O9	PNF678270	OQ	PNF678267	KL	PNF678268	H1	R2G2	G8	TP232	J8	TP363	K1
C530	J7	C691	O10	PNF678271	OR	PNF678268	KL	PNF678269	H1	R2G3	G8	TP233	J8	TP364	K1
C540	J7	C701	P1	PNF678272	OS	PNF678269	KL	PNF678270	H1	R2G4	G8	TP234	J8	TP365	J1
C550	J7	C711	P2	PNF678273	OT	PNF678270	KL	PNF678271	H1	R2G5	G8	TP235	J8	TP366	J1
C560	J7	C721	P3	PNF678274	OU	PNF678271	KL	PNF678272	H1	R2G6	G8	TP236	J8	TP367	J1
C570	J7	C731	P4	PNF678275	OV	PNF678272	KL	PNF678273	H1	R2G7	G8	TP237	J8	TP368	J1
C580	J7	C741	P5	PNF678276	OW	PNF678273	KL	PNF678274	H1	R2G8	G8	TP238	J8	TP369	J1
C590	J7	C751	P6	PNF678277	OX	PNF678274	KL	PNF678275	H1	R2G9	G8	TP239	J8	TP370	J1
C600	J7	C761	P7	PNF678278	OY	PNF678275	KL	PNF678276	H1	R301	K1	TP240	H6	TP371	K1
C610	J7	C771	P8	PNF678279	OZ	PNF678276	KL	PNF678277	H1	R302	K1	TP241	H6	TP372	K1
C620	J7	C781	P9	PNF678280	P0	PNF678277	KL	PNF678278	H1	R303	K1	TP242	H6	TP373	K1
C630	J7	C791	P10	PNF678281	P1	PNF678278	KL	PNF678279	H1	R304	K1	TP243	H6	TP374	K1
C640	J7	C801	Q1	PNF678282	P2	PNF678279	KL	PNF678280	H1	R305	K1	TP244	H6	TP375	K1
C650	J7	C811	Q2	PNF678283	P3	PNF678280	KL	PNF678281	H1	R306	K1	TP245	H6	TP376	K1
C660	J7	C821	Q3	PNF678284	P4	PNF678281	KL	PNF678282	H1	R307	K1	TP246	H6	TP377	K1
C670	J7	C831	Q4	PNF678285	P5	PNF678282	KL	PNF678283	H1	R308	K1	TP247	H6	TP378	K1
C680	J7	C841	Q5	PNF678286	P6	PNF678283	KL	PNF678284	H1	R309	K1	TP248	H6	TP379	K1
C690	J7	C851	Q6	PNF678287	P7	PNF678284	KL	PNF678285	H1	R310	K1	TP249	H6	TP380	K1
C700	J7	C861	Q7	PNF678288	P8	PNF678285	KL	PNF678286	H1	R311	K1	TP250	H6	TP381	K1
C710	J7	C871	Q8	PNF678289	P9	PNF678286	KL	PNF678287	H1	R312	K1	TP251	H6	TP382	K1
C720	J7	C881	Q9	PNF678290	P10	PNF678287	KL	PNF678288	H1	R313	K1	TP252	H6	TP383	K1
C730	J7	C891	Q10	PNF678291	P11	PNF678288	KL	PNF678289	H1	R314	K1	TP253	H6	TP384	K1
C740	J7	C901	R1	PNF678292	P12	PNF678289	KL	PNF678290	H1	R315	K1	TP254	H6	TP385	K1
C750	J7	C911	R2	PNF678293	P13	PNF678290	KL	PNF678291	H1	R316	K1	TP255	H6	TP386	K1
C760	J7	C921	R3	PNF678294	P14	PNF678291	KL	PNF678292	H1	R317	K1	TP256	H6	TP387	K1
C770	J7	C931	R4	PNF678295	P15	PNF678292	KL	PNF678293	H1	R318	K1	TP257	H6	TP388	K1
C780	J7	C941	R5	PNF678296	P16	PNF678293	KL	PNF678294	H1	R319	K1	TP258	H6	TP389	K1
C790	J7	C951	R6	PNF678297	P17	PNF678294	KL	PNF678295	H1	R320	K1	TP259	H6	TP390	K1
C800	J7	C961	R7	PNF678298	P18	PNF678295	KL	PNF678296	H1	R321	K1	TP260	H6	TP391	K1
C810	J7	C971	R8	PNF678299	P19	PNF678296	KL	PNF678297	H1	R322	K1	TP261	H6	TP392	K1
C820	J7	C981	R9	PNF678300	P20	PNF678297	KL	PNF678298	H1	R323	K1	TP262	H6	TP393	K1
C830	J7	C991	R1												

SECTION 4 MECHANISM

CONTENTS

DECK MECHANISM PARTS LOCATIONS

- Top View.....4-1
- Top View(without Tray Disc)4-1
- Bottom View4-1

DECK MECHANISM DISASSEMBLY

1. Holder Assembly Clamp.....4-2

- 1-1. Plate Clamp4-2
- 1-2. Magnet Clamp4-2
- 1-3. Upper Clamp.....4-2
- 1-4. Holder Clamp.....4-2

2. Base Assembly Tray4-2

- 2-1. Tray Disc(Fig.4-2)4-2
- 2-2. Roller Base Tray4-2
- 2-3. PCB Assembly Tray.....4-2
- 2-4. Motor Assembly Tray4-2
- 2-5. Gear Tray.....4-2
- 2-6. Gear Wheel Tray4-2
- 2-7. Base Tray.....4-2

3. Frame Assembly Up/Down4-3

- 3-1. PCB Assembly Junction4-3
- 3-2. Base Assembly Sled Damper4-3
 - 3-2-1. Gear Assembly Feed4-3
 - 3-2-2. Gear Assembly Middle.....4-3
 - 3-2-3. Gear Assembly Rack4-3
- 3-3. Rubber Damper4-3
- 3-4. Frame Up/Down.....4-3

4. Base Assembly Main.....4-4

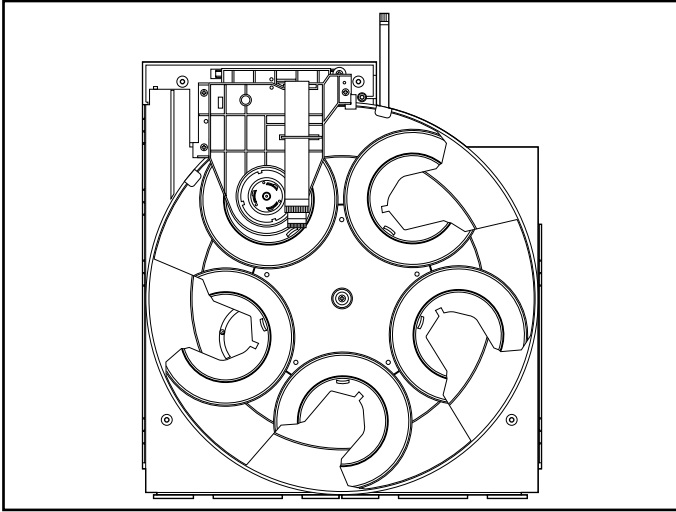
- 4-1. PCB Assembly Main Mode4-4
- 4-2. Gear Slider.....4-4
- 4-3. Gear Exchange.....4-4
- 4-4. Gear Main4-4
- 4-5. Gear Up/Down4-4
- 4-6. Gear Wheel Main.....4-4
- 4-7. Gear Loading.....4-4
- 4-8. Motor Assembly Main4-4
- 4-9. Base Main.....4-4

EXPLODED VIEW

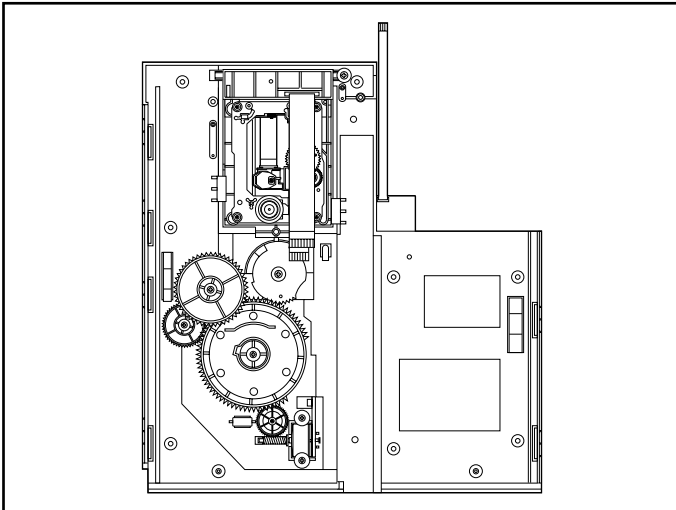
1. Deck Mechanism Exploded View....4-5

DECK MECHANISM PARTS LOCATION

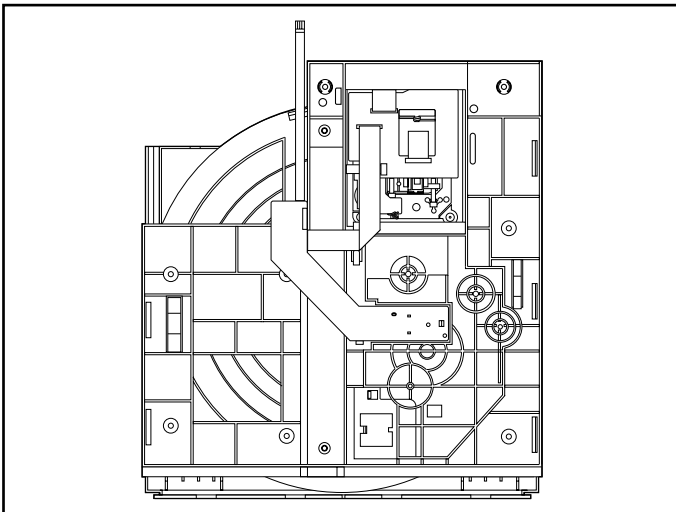
• Top View (With Tray)



• Top View (Without Tray)



• Bottom View



Procedure Starting No.	Parts	Fixing Type	Disassembly	Figure
1	Holder Assembly Clamp	3 Screws 2 Connectors 1 Hook	Top	4-1
1	2 Plate Calmp		Top	4-1
1,2	3 Magnet Clamp		Top	4-1
1,2,3	4 Upper Clamp		Top	4-1
1,2,3,4	5 Holder Clamp		Top	4-1
	6 Base Assembly Tray	2 Locking Tabs	Top	4-2
	7 Tray Disc	1 Screw	Top	4-2
6	8 Roller Base Tray	2 Locking Tabs	Bottom	4-2
6	9 PCB Assembly Tray	2 Screws 1 Connector	Bottom	4-2
6,7	10 Motor Assembly Tray	2 Screws	Top	4-2
6,7,10	11 Gear Tray		Top	4-2
6,7,10,11	12 Gear Wheel Tray		Top	4-2
6,7,8,9,10,11,12	13 Base Tray		Top	4-2
1	14 Frame Assemly Up/Down	1 Screw	Top	4-3
	15 PCB Assembly Junction	2 Screws 5 Connectors	Bottom	4-3
1	16 Base Assembly Sled Damper	4 Screws 1 Connector	Top	4-3
1	17 Gear Assembly Feed	1 Locking Tab	Top	4-3
1,17	18 Gear Middle		Top	4-3
1,17	19 Gear Assembly Rack	1 Screw	Top	4-3
1	20 Rubber Damper		Top	4-3
1,15,16,17,18,19,20	21 Frame Up/Down		Top	4-3
1,14	22 Base Assembly Main		Top	4-4
	23 PCB Assembly Main Mode	2 Connectors 3 Screws	Bottom	4-4
6	24 Gear Slider	1 Screw	Top	4-4
6,24	25 Gear Exchange	1 Screw	Top	4-4
6,24	26 Gear Main	1 Screw	Top	4-4
6,24,26	27 Gear Up/Down	1 Screw	Top	4-4
6,24,26	28 Gear Wheel Main	1 Screw	Top	4-4
6,24,26,28	29 Gear Loading		Top	4-4
6,28	30 Motor Assembly Main	2 Screws 1 Locking Tab	Top	4-4
1,6,14,23,24,25,26,27,28,29,30	31 Base Main		Top	4-4

Note

When reassembling, perform the procedure in reverse order.

The "Bottom" on Disassembly column of above Table indicates the part should be disassembled at the Bottom side.

DECK MECHANISM DISASSEMBLY

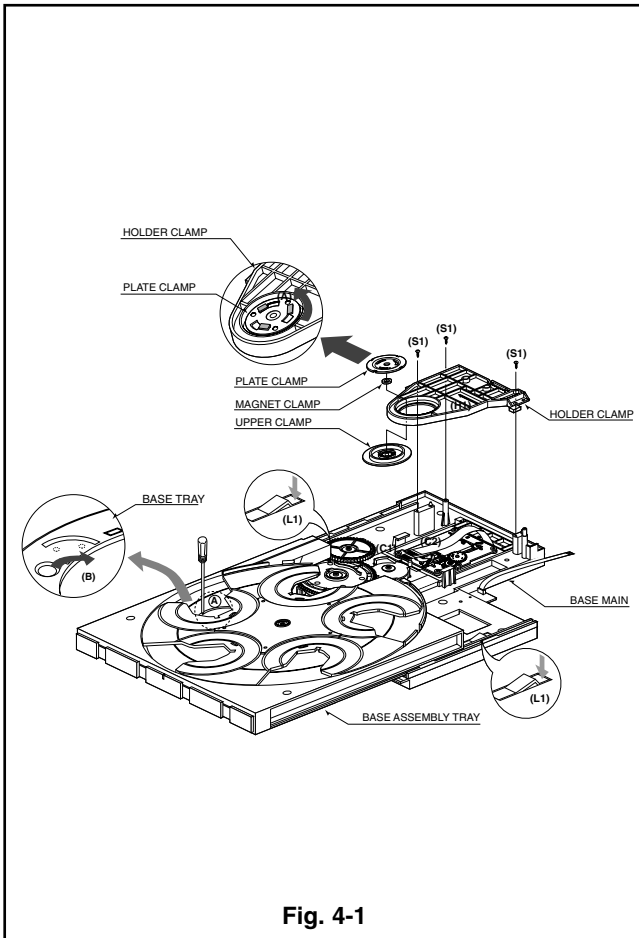


Fig. 4-1

1. Holder Assembly Clamp(Fig. 4-1)

- 1) Release 3 Screws(S1).
- 2) Unlock The Connectors (C1), (C2) from the Hook(H1).

1-1. Plate Clamp

- 1) Hold and fix the Upper Clamp under the Holder Assembly Clamp, and then turn the Plate Clamp to the counterclockwise direction(arrow(A)).

1-2. Magnet Clamp

1-3. Upper Clamp

1-4. Holder Clamp

Note

- When reassembling, hold and fix the Upper Clamp as above No. 1-1(1), and then turn the Plate Clamp to the clockwise direction.

2. Base Assembly Tray(Fig. 4-1)

- 1) Turn the Ⓐ portion to the direction of arrow(B) to move the Base Assembly Tray in front of you.
- 2) Push down two Locking Tabs(L1) located to both sides of the Base Main, and then pull the Base Assembly Tray in front of you.

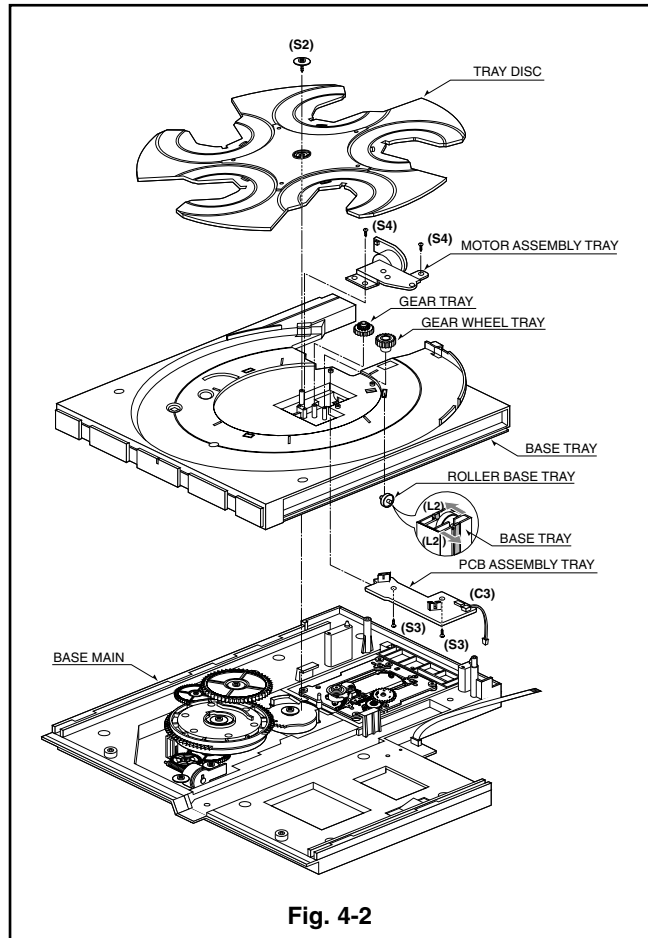


Fig. 4-2

2-1. Tray Disc(Fig.4-2)

- 1) Release Screw(S2).

Note

- Put the Base Assembly Tray face down(Bottom side).

2-2. Roller Base Tray

- 1) Unlock the two Locking Tabs(L2).

2-3. PCB Assembly Tray

- 1) Release two Screws(S3).
- 2) Unconnect the Connector(C3).

Note

- Put the Base Assembly Tray on original position(Top Side).

2-4. Motor Assembly Tray

- 1) Release 2 Screws(S4).

2-5. Gear Tray

2-6. Gear Wheel Tray

2-7. Base Tray

DECK MECHANISM DISASSEMBLY

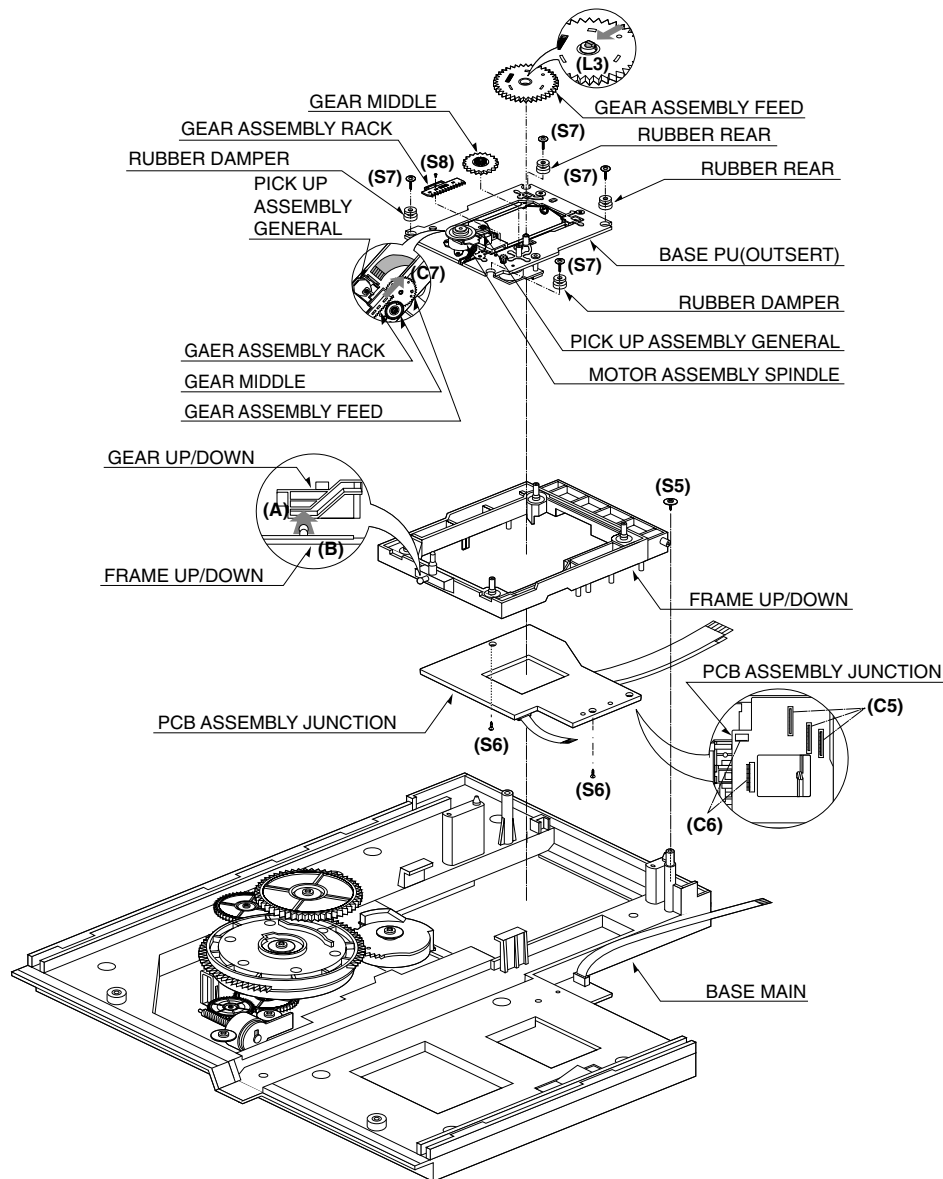


Fig. 4-3

3. Frame Assembly Up/Down(Fig. 4-3)

- 1) Release Screw(S5).

3-1. PCB Assembly Junction

- 1) Unconnect the 5 Connectors(C5), (C6).
- 2) Release 2 Screws(S6).

3-2. Base Assembly Sled Damper

- 1) Release 4 Screws(S7).
- 2) Disconnect the Connector(C7).

3-2-1. Gear Assembly Feed

- 1) Look the Locking Tab(L3) in direction of arrow.

3-2-2. Gear Assembly Middle

3-2-3. Gear Assembly Rack

- 1) Release the Screw(S8).

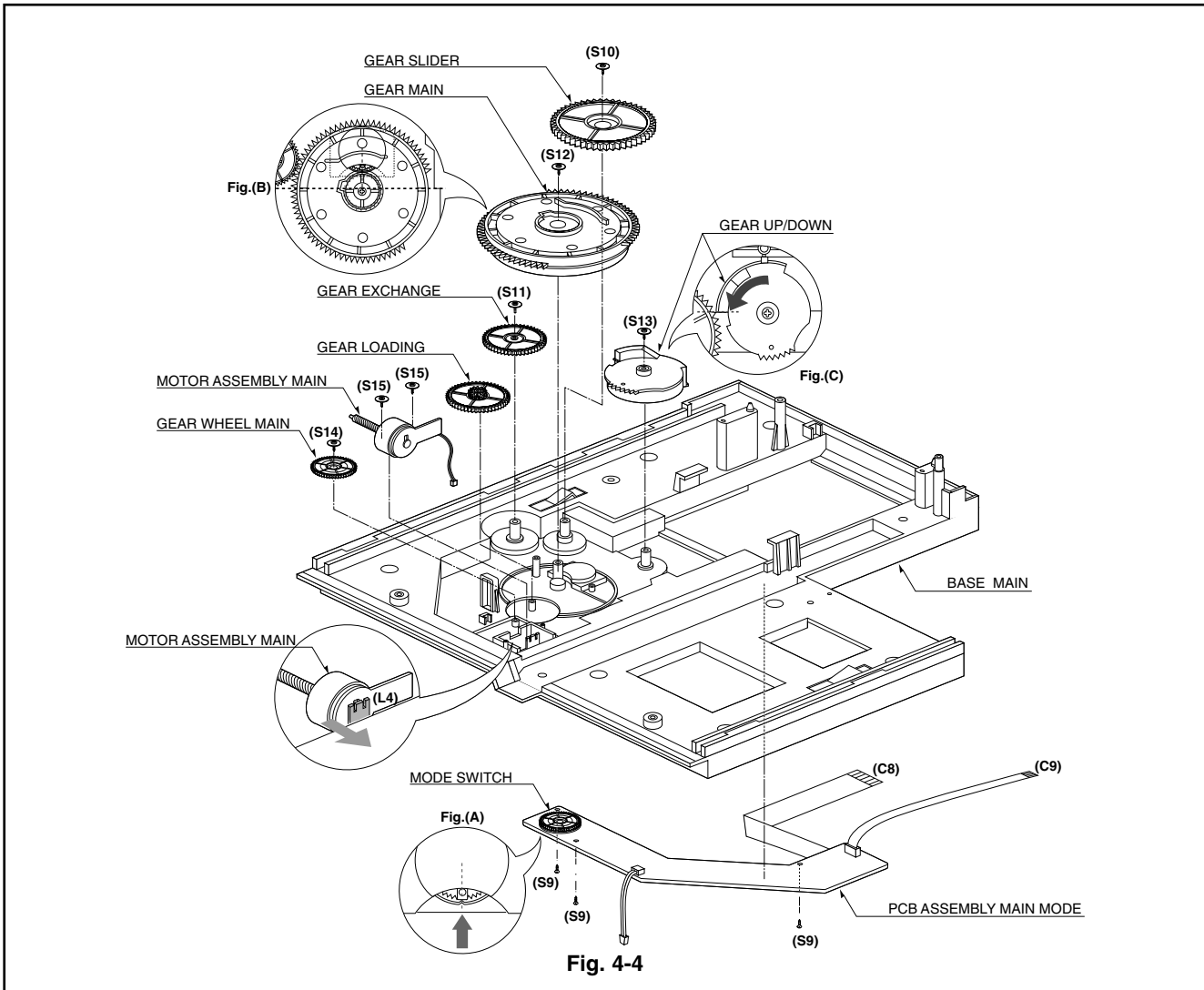
3-3. Rubber Damper

3-4. Frame Up/Down

Note

- Put the Base Assembly Main on original position(Top side)

DECK MECHANISM DISASSEMBLY



4. Base Assembly Main(Fig. 4-4)

Note

- Put the Base Assembly Main face down(Bottom Side).

4-1. PCB Assembly Main Mode

- 1)Unconnect the Connectors (C8), (C9).
- 2)Release three Screws(S9).

Note

- When reassembling, align the Mode Switch position as Fig.(A).
- Put the Base Assembly Main on original position(Top Side)

4-2. Gear Slider

- 1) Release Screw(S10).

4-3. Gear Exchange

- 1) Release Screw(S11).

4-4. Gear Main

- 1) Release Screw(S12).

Note

- When reassembling, align the (A) position of the Gear Main to the (B) position of Mode Switch as Fig.(B)

4-5. Gear Up/Down

- 1) Release Screw(S13).

Note

- Reassembling, turn the Gear Up/Down in direction of arrow as Fig.(C).

4-6. Gear Wheel Main

- 1) Release Screw(S14).

4-7. Gear Loading

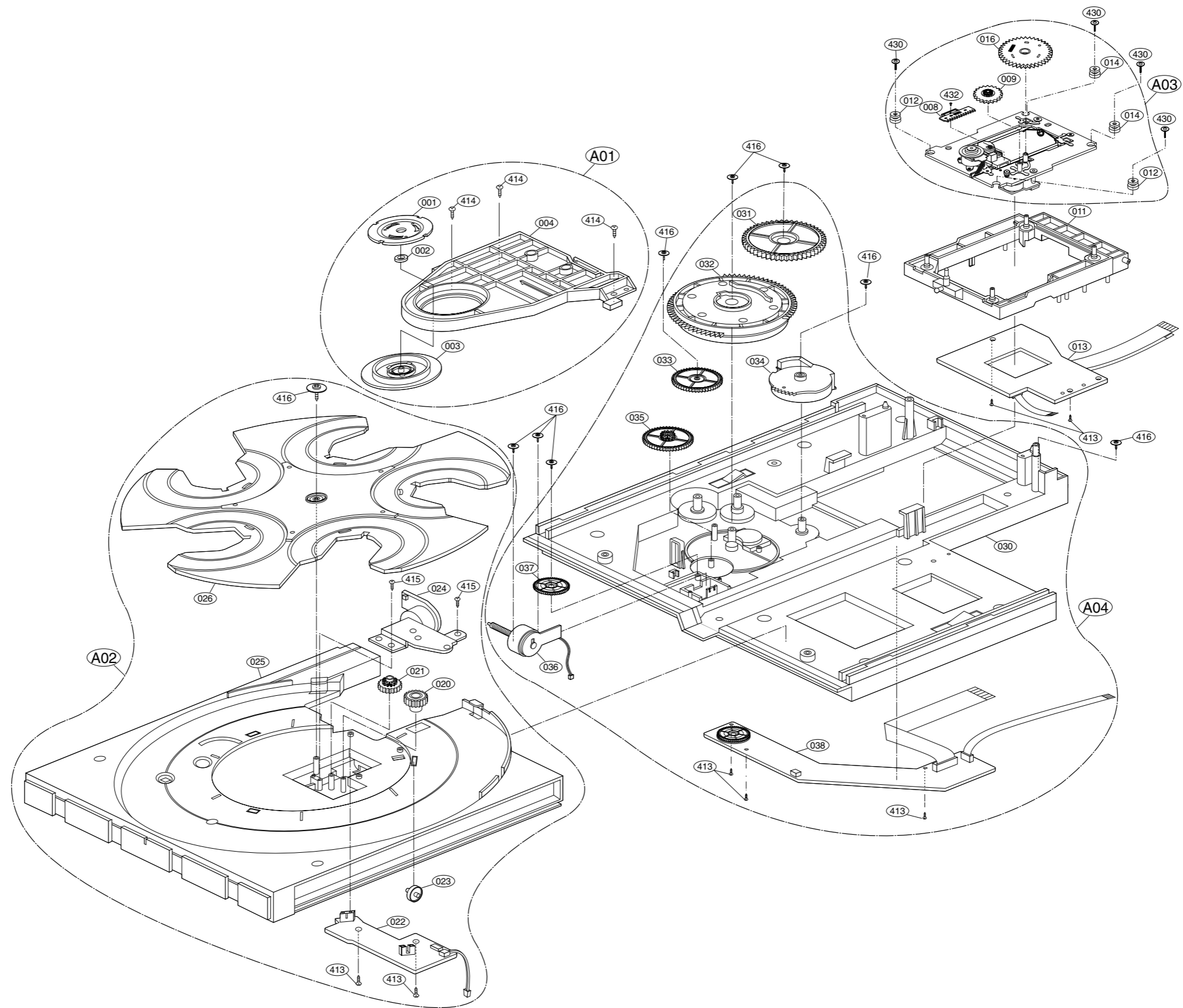
4-8. Motor Assembly Main

- 1) Release 2 Screws(S15).
- 2) Unlock the Locking Tab(L4).

4-9. Base Main

EXPLODED VIEWS

1. Deck Mechanism Exploded View




MEMO

A series of horizontal dotted lines for writing.

MEMO

A series of horizontal dotted lines for writing.

NOTES)  Warning
Parts that are shaded are critical
With respect to risk of fire or
electrical shock.

SECTION 5 REPLACEMENT PARTS LIST

MODELS:(A)DMN5025E(T572C), (B)DMN5026N(T572AH)

RUN DATE:AUG.20.2002

.MECHANICAL SECTION

NSP:Not Service Part

S	AL	LOCA.NO	PART NO(LG)	A	B	DESCRIPTION	SPECIFICATION	REMARKS
ASSEMBLY PARTS SECTION								
		A00	6721RH0326A	O	O	DECK ASSEMBLY,VIDEO	DPM-2 (DVD-CD R/RW MITSUMI 2LD	
		A01	4931R-0037B	O	O	HOLDER ASSEMBLY	CLAMP -SH	
		A02	3041R-0014C	O	O	BASE ASSEMBLY	TRAY (DPM1)-SH	
		A03	3041R-0061B	O	O	BASE ASSEMBLY	SLED-DAMPER(DVD-CD R/RW MITSUM	
		A04	3041R-0016B	O	O	BASE ASSEMBLY	MAIN -SH	
PARTS SECTION								
		001	3300R-0547A	O	O	PLATE	CLAMP	NSP
		002	5016H-1016B	O	O	MAGNET	CLAMP(LDM-R608,10*5,1*1.5T)	NSP
		003	4860R-0009A	O	O	CLAMP	UPPER	NSP
		004	4930R-0197A	O	O	HOLDER	CLAMP	NSP
		008	4470R-0047A	O	O	GEAR	ASSY RACK	
		009	4470R-0053A	O	O	GEAR	MIDDLE	
		011	3210R-0041A	O	O	FRAME	UP/DOWN	
		012	5040R-0047D	O	O	RUBBER	DAMPER(HARDNESS=30),DARKGREEN	
		013	6871R-0001K	O	O	PWB(PCB) ASSEMBLY,TOTAL	DPM1 JUNCTION DVD-CD R/RW -SH	
		014	5040R-0047B	O	O	RUBBER	DAMPER(E2,5040H-1054A),CHUNPOO	
		016	4470R-0050A	O	O	GEAR	ASSY FEED	
		020	4470R-0118A	O	O	GEAR	WHEEL TRAY	
		021	4470R-0074A	O	O	GEAR	TRAY	
		022	6871R-3024D	O	O	PWB(PCB) ASSEMBLY,TOTAL	DPM1 TRAY -SH	
		023	4580R-0006A	O	O	ROLLER	BASE TRAY	
		024	4681R-0010D	O	O	MOTOR ASSEMBLY	TRAY-SH	
		025	3040R-0032A	O	O	BASE	TRAY (DPM1)	NSP
		026	3390R-0008A	O	O	TRAY	DISC (DPM1)	
		030	3040R-0031A	O	O	BASE	MAIN (DPM1)	
		031	4470R-0069A	O	O	GEAR	SLIDER	
		032	4470R-0067A	O	O	GEAR	MAIN	
		033	4470R-0070A	O	O	GEAR	EXCHANGE	
		034	4470R-0068A	O	O	GEAR	UP/DOWN	
		035	4470R-0071A	O	O	GEAR	LOADING	
		036	4681R-0012B	O	O	MOTOR ASSEMBLY	MAIN -SH	
		037	4470R-0072A	O	O	GEAR	WHEEL MAIN	
		038	6871R-3026C	O	O	PWB(PCB) ASSEMBLY,TOTAL	DPM1 MAIN-MODE -SH	
SCREW								
		413	4000R-0006A	O	O	SCREW	TAPTITE 3*8(353-025B)	
		414	4000R-0006B	O	O	SCREW	TAPTITE 3X10 FBK(353-025C)	
		415	1MPC0301118	O	O	SCREW MACHINE,PAN HEAD	#NAME?	
		416	4404R-0017A	O	O	MECHANISM	3*12*12(88H-0004)	
		430	1SZZH-1003A	O	O	SCREW,	+ D2.0 6MM SWRCH16A/NIY 4.5MM	
		432	1SZZR-0011A	O	O	SCREW,	MACHINE	
.CABINET & MAIN FRAME SECTION								
ASSEMBLY PARTS SECTION								
		A43	3501RF3434C		O	BOARD ASSEMBLY	FRONT(DMN5026N_T572_AH	
		A43	3501RF3434D	O		BOARD ASSEMBLY	FRONT(DMN5025E_T572_C)	
		A46	6885R-0550G		O	SUB PWB(PCB) ASSEMBLY	DMN5026N EVNT NAD CHANGER SVC	
		A46	6885R-0550H	O		SUB PWB(PCB) ASSEMBLY	DMN5025E EVNT NAD CHANGER SVC	
		A47	6871R-5089A		O	PWB(PCB) ASSEMBLY,TOTAL	DMN5026N HA1UNN IO BLUE PCB	
		A47	6871R-5089B	O		PWB(PCB) ASSEMBLY,TOTAL	DMN5025E HA2DNN IO BLUE PCB	

S	AL	LOCA.NO	PART NO(LG)	A	B	DESCRIPTION	SPECIFICATION	REMARKS
		A48	6871R-5088A		O	PWB(PCB) ASSEMBLY,TOTAL	DMN5026N HA1UNN SMPS BLUE PCB	
		A48	6871R-5088B	O		PWB(PCB) ASSEMBLY,TOTAL	DMN5025E HA2DNN SMPS BLUE PCB	
PARTS SECTION								
		250	3110R-0194U	O	O	CASE	DVD - TOP(5-DVD . W/O DVD .	
		260	3141R-0059R	O		CHASSIS ASSEMBLY	DVD DMP5024N MAIN HA1UPP	NSP
		260	3141R-0059S		O	CHASSIS ASSEMBLY	DMN5026N T572#SH	NSP
		275	4811R-0027F		O	BRACKET ASSEMBLY	MAIN(DVM5000 . W/O GND . ADD S	
		280	3721R-F228C		O	PANEL ASSEMBLY,FRONT	FRONT (DMN4026N) NAD T572 AH	
		280	3721R-F228D	O		PANEL ASSEMBLY,FRONT	FRONT (DMN4025E) NAD T572 C	
		283	3580R-T041B	O	O	DOOR,CASE	TRAY (T572) NAD	
		285	3301R-M019A	O	O	PLATE ASSEMBLY	VCR - SHIELD(T571)NAD	
	⚠	300	6410RAHJ02A		O	POWER CORD	JL001/NISPT-2 18AWGX2C 105C JI	
	⚠	300	6410RCHJ02A	O		POWER CORD	JL201B WITH CORE JIULIAN VDE/	
SCREW								
		455	353-051E	O	O	SCREW	SPECIAL (3X12)	
		462	353-085E	O	O	SCREW,DRAWING	+3 D4.0 L10.0 MSWR3/FZMCW-2	
		463	353-051G	O	O	SCREW,DRAWING	+2 D3.0 L8.0 MSWR3/FN TB ROUN	
		465	353-046K	O	O	SCREW	SPECIAL (3X10 B.K)	
.PACKING & ACCESSORY SECTION								
		801	3835RS0042D	O		INSTRUCTION ASSEMBLY	DMN5025E_HA2DNN	
		801	3835RS0042E		O	INSTRUCTION ASSEMBLY	DMN5026N_HA1UNN	
		802	3890R-H524M	O		BOX	DMN5025E HA2DNN SW3-A 1.745 1	
		802	3890R-H524N		O	BOX	DMN5026N HA1UNN SW3-A 1.745 1	
		803	3920R-E038A	O	O	PACKING,CASING	DMN4022N 0.02 110 EPS 8 430 89	
		804	292-053E	O	O	BAG	V3	NSP
		808	841-0021	O	O	BATTERY,MN	ER03X HI WATT 1.5V .MA/H AAA	
		810	6851RP0003N	O	O	CABLE ASSY,RF	DVD CABLE ASSY,RCA USING AREA	
		811	6611R1G001A	O	O	PLUG ASSY	1WAY YELLOW GLOBAL	
		812	6611R2G001A	O	O	PLUG ASSY	2WAY RED/WHITE GLOBAL	
.REMOTE CONTROL SECTION								
		900	6711R2N010X	O	O	REMOTE CONTROLLER ASSY	D1 DMN4022N NAD W/DISC SKIP	

.ELECTRICAL SECTION

S	AL	LOCA.NO	PART NO(LG)	A	B	DESCRIPTION	SPECIFICATION	REMARKS
CAPACITOR								
△		C101	624-088S	O	O	CAPACITOR,DRAWING	MPX104K ETR/EUROPTRONIC BULK	
		C102	624-088S	O	O	CAPACITOR,DRAWING	MPX104K ETR/EUROPTRONIC BULK	
		C103	0CE157CR610		O	CAPACITOR,AL.ELECTROLYTIC	150UF SHL,SD 250V M FL BULK	
		C103	0CE686CU611	O		CAPACITOR,AL.ELECTROLYTIC	68UF SHL,SD 400V M FL BK7.5	
		C104	624-085D	O	O	CAPACITOR	CE 47UF/50V KME (SMPS)	
		C109	0CE108BF630	O	O	CAPACITOR,FIXED ELECTROLYTIC	1000UF KME 16V M FM5 BULK	
		C110	0CN4730K948	O	O	CAPACITOR,FIXED TUBULAR(High d	0.047UF D 50V 80%,-20% F(Y5V)	
		C112	0CE3376D638	O	O	CAPACITOR,ELECTROLYTIC	330UF SMS 10V M FM5 TP5	
		C113	0CG3320U632	O	O	CAPACITOR,FIXED CERAMIC(TEMP.C	3300PF D 400V 20% R Y (N 800	
		C115	0CE1064K638	O	O	CAPACITOR,FIXED ELECTROLYTIC	10M SRA 50V M FM5 TP(5)	
		C116	0CE477BH630	O	O	CAPACITOR,AL.ELECTROLYTIC	470UF KME TYPE 25V M FM5 BULK	
		C117	0CN4730K948	O	O	CAPACITOR,FIXED TUBULAR(High d	0.047UF D 50V 80%,-20% F(Y5V)	
		C118	0CE1074F638	O	O	CAPACITOR,ELECTROLYTIC	100U SRA 16V M FM5 TP(5)	
		C119	624-087B	O	O	CAPACITOR	HIGH-VOL 100P/1KV SMPS SAMHWA	
		C120	0CE1074F638	O	O	CAPACITOR,ELECTROLYTIC	100U SRA 16V M FM5 TP(5)	
		C121	0CE2276F638	O	O	CAPACITOR,ELECTROLYTIC	220U SMS 16V M FM5 TP(5)	
		C122	624-085D	O	O	CAPACITOR	CE 47UF/50V KME (SMPS)	
		C123	0CE108BF630	O	O	CAPACITOR,FIXED ELECTROLYTIC	1000UF KME 16V M FM5 BULK	
		C124	0CE337CH618	O	O	CAPACITOR,FIXED ELECTROLYTIC	330UF SHL,SD 25V 20% FL TP 5	
		C126	0CQ1031Y519	O	O	CAPACITOR,POLYESTER	0.01UF D 630V K PE NI TP	
		C128	0CQ1042K409	O	O	CAPACITOR,FIXED FILM	0.1UF S 50V J PE TP	
		C129	0CE1074F638	O	O	CAPACITOR,ELECTROLYTIC	100U SRA 16V M FM5 TP(5)	
		C130	0CE2274C638	O	O	CAPACITOR,ELECTROLYTIC	220M SRA 6.3V M FM5 TP(5)	
		C131	0CE1074F638	O	O	CAPACITOR,ELECTROLYTIC	100U SRA 16V M FM5 TP(5)	
		C137	0CE3376D638	O	O	CAPACITOR,ELECTROLYTIC	330UF SMS 10V M FM5 TP5	
		C138	0CE1054K638	O	O	CAPACITOR,ELECTROLYTIC	1.0M SRA/SS50V M FM5 TP(5)	
		C201	0CH1104K942	O	O	CAPACITOR,CHIP[CERAMIC M/L HD	0.1UF 50V Z Y5V(F) 1508 R/TP	
		C202	0CH1104K942	O	O	CAPACITOR,CHIP[CERAMIC M/L HD	0.1UF 50V Z Y5V(F) 1508 R/TP	
		C203	0CH1104K942	O	O	CAPACITOR,CHIP[CERAMIC M/L HD	0.1UF 50V Z Y5V(F) 1508 R/TP	
		C204	0CH1104K942	O	O	CAPACITOR,CHIP[CERAMIC M/L HD	0.1UF 50V Z Y5V(F) 1508 R/TP	
		C205	0CH1104K942	O	O	CAPACITOR,CHIP[CERAMIC M/L HD	0.1UF 50V Z Y5V(F) 1508 R/TP	
		C206	0CH1104K942	O	O	CAPACITOR,CHIP[CERAMIC M/L HD	0.1UF 50V Z Y5V(F) 1508 R/TP	
		C207	0CH1105D942	O	O	CAPACITOR,CHIP[CERAMIC M/L HD	1UF 10V Z Y5V(F) 1508 R/TP	
		C208	0CH1104K942	O	O	CAPACITOR,CHIP[CERAMIC M/L HD	0.1UF 50V Z Y5V(F) 1508 R/TP	
		C209	0CH1104K942	O	O	CAPACITOR,CHIP[CERAMIC M/L HD	0.1UF 50V Z Y5V(F) 1508 R/TP	
		C210	0CH1104K942	O	O	CAPACITOR,CHIP[CERAMIC M/L HD	0.1UF 50V Z Y5V(F) 1508 R/TP	
		C211	0CH8106F611	O	O	CAPACITOR,CHIP[AL. ELECTROLYTI	10UF 16V M 85STD(CYL) R/TP	
		C212	0CH8106F611	O	O	CAPACITOR,CHIP[AL. ELECTROLYTI	10UF 16V M 85STD(CYL) R/TP	
		C213	0CH8106F611	O	O	CAPACITOR,CHIP[AL. ELECTROLYTI	10UF 16V M 85STD(CYL) R/TP	
		C214	0CH1104K942	O	O	CAPACITOR,CHIP[CERAMIC M/L HD	0.1UF 50V Z Y5V(F) 1508 R/TP	
		C215	0CH1104K942	O	O	CAPACITOR,CHIP[CERAMIC M/L HD	0.1UF 50V Z Y5V(F) 1508 R/TP	
		C216	0CH1104K942	O	O	CAPACITOR,CHIP[CERAMIC M/L HD	0.1UF 50V Z Y5V(F) 1508 R/TP	
		C217	0CH1104K942	O	O	CAPACITOR,CHIP[CERAMIC M/L HD	0.1UF 50V Z Y5V(F) 1508 R/TP	
		C218	0CH1104K942	O	O	CAPACITOR,CHIP[CERAMIC M/L HD	0.1UF 50V Z Y5V(F) 1508 R/TP	
		C219	0CH1104K942	O	O	CAPACITOR,CHIP[CERAMIC M/L HD	0.1UF 50V Z Y5V(F) 1508 R/TP	
		C220	0CH8106F611	O	O	CAPACITOR,CHIP[AL. ELECTROLYTI	10UF 16V M 85STD(CYL) R/TP	
		C224	0CH1104K942	O	O	CAPACITOR,CHIP[CERAMIC M/L HD	0.1UF 50V Z Y5V(F) 1508 R/TP	
		C225	0CH1105D942	O	O	CAPACITOR,CHIP[CERAMIC M/L HD	1UF 10V Z Y5V(F) 1508 R/TP	
		C226	0CH1105D942	O	O	CAPACITOR,CHIP[CERAMIC M/L HD	1UF 10V Z Y5V(F) 1508 R/TP	
		C229	0CH1104K942	O	O	CAPACITOR,CHIP[CERAMIC M/L HD	0.1UF 50V Z Y5V(F) 1508 R/TP	
		C230	0CH1104K942	O	O	CAPACITOR,CHIP[CERAMIC M/L HD	0.1UF 50V Z Y5V(F) 1508 R/TP	
		C231	0CH1104K942	O	O	CAPACITOR,CHIP[CERAMIC M/L HD	0.1UF 50V Z Y5V(F) 1508 R/TP	
		C232	0CH8476C611	O	O	CAPACITOR,CHIP[AL. ELECTROLYTI	47UF 6.3V M 85STD(CYL) R/TP	
		C238	0CH1104K942	O	O	CAPACITOR,CHIP[CERAMIC M/L HD	0.1UF 50V Z Y5V(F) 1508 R/TP	
		C239	0CH1104K942	O	O	CAPACITOR,CHIP[CERAMIC M/L HD	0.1UF 50V Z Y5V(F) 1508 R/TP	
		C240	0CH1222K562	O	O	CAPACITOR,CHIP[CERAMIC M/L HD	2200PF 50V K X7R(X) 1608 R/TP	
		C242	0CH1104K942	O	O	CAPACITOR,CHIP[CERAMIC M/L HD	0.1UF 50V Z Y5V(F) 1508 R/TP	

S	AL	LOCA.NO	PART NO(LG)	A	B	DESCRIPTION	SPECIFICATION	REMARKS
		C245	0CH1105D942	O	O	CAPACITOR,CHIP[CERAMIC M/L HD	1UF 10V Z Y5V(F) 1508 R/TP	
		C251	0CH1105D942	O	O	CAPACITOR,CHIP[CERAMIC M/L HD	1UF 10V Z Y5V(F) 1508 R/TP	
		C252	0CH4100K112	O	O	CHIP CAPA CERAMIC M/L T.C F/S	10P 50V D COG 1.6X0.8 R/TP	
		C253	0CH1105D942	O	O	CAPACITOR,CHIP[CERAMIC M/L HD	1UF 10V Z Y5V(F) 1508 R/TP	
		C254	0CH1105D942	O	O	CAPACITOR,CHIP[CERAMIC M/L HD	1UF 10V Z Y5V(F) 1508 R/TP	
		C255	0CH1104K942	O	O	CAPACITOR,CHIP[CERAMIC M/L HD	0.1UF 50V Z Y5V(F) 1508 R/TP	
		C258	0CH1105D942	O	O	CAPACITOR,CHIP[CERAMIC M/L HD	1UF 10V Z Y5V(F) 1508 R/TP	
		C261	0CH8106F611	O	O	CAPACITOR,CHIP[AL. ELECTROLYTI	10UF 16V M 85STD(CYL) R/TP	
		C262	0CH8106F611	O	O	CAPACITOR,CHIP[AL. ELECTROLYTI	10UF 16V M 85STD(CYL) R/TP	
		C263	0CH8106F611	O	O	CAPACITOR,CHIP[AL. ELECTROLYTI	10UF 16V M 85STD(CYL) R/TP	
		C264	0CH8106F611	O	O	CAPACITOR,CHIP[AL. ELECTROLYTI	10UF 16V M 85STD(CYL) R/TP	
		C265	0CH8106F611	O	O	CAPACITOR,CHIP[AL. ELECTROLYTI	10UF 16V M 85STD(CYL) R/TP	
		C272	0CH8476C611	O	O	CAPACITOR,CHIP[AL. ELECTROLYTI	47UF 6.3V M 85STD(CYL) R/TP	
		C273	0CH1225F944	O	O	CAPACITOR,FIXED CERAMIC(Temp.c	2.2UF 16V 80%,-20% Y5V(F) 3216	
		C274	0CH8476C611	O	O	CAPACITOR,CHIP[AL. ELECTROLYTI	47UF 6.3V M 85STD(CYL) R/TP	
		C278	0CH8106F611	O	O	CAPACITOR,CHIP[AL. ELECTROLYTI	10UF 16V M 85STD(CYL) R/TP	
		C279	0CH8106F611	O	O	CAPACITOR,CHIP[AL. ELECTROLYTI	10UF 16V M 85STD(CYL) R/TP	
		C280	0CH8106F611	O	O	CAPACITOR,CHIP[AL. ELECTROLYTI	10UF 16V M 85STD(CYL) R/TP	
		C281	0CH8106F611	O	O	CAPACITOR,CHIP[AL. ELECTROLYTI	10UF 16V M 85STD(CYL) R/TP	
		C284	0CH8476C611	O	O	CAPACITOR,CHIP[AL. ELECTROLYTI	47UF 6.3V M 85STD(CYL) R/TP	
		C285	0CH8106F611	O	O	CAPACITOR,CHIP[AL. ELECTROLYTI	10UF 16V M 85STD(CYL) R/TP	
		C286	0CH1104K942	O	O	CAPACITOR,CHIP[CERAMIC M/L HD	0.1UF 50V Z Y5V(F) 1508 R/TP	
		C287	0CH8106F611	O	O	CAPACITOR,CHIP[AL. ELECTROLYTI	10UF 16V M 85STD(CYL) R/TP	
		C288	0CH8106F611	O	O	CAPACITOR,CHIP[AL. ELECTROLYTI	10UF 16V M 85STD(CYL) R/TP	
		C290	0CH4220K412	O	O	CAPA,CHIP CERAMIC M/L T.C F/S	22P 50V J COG 1.6X0.8 R/TP	
		C291	0CH4220K412	O	O	CAPA,CHIP CERAMIC M/L T.C F/S	22P 50V J COG 1.6X0.8 R/TP	
		C292	0CH1104K942	O	O	CAPACITOR,CHIP[CERAMIC M/L HD	0.1UF 50V Z Y5V(F) 1508 R/TP	
		C293	0CH1104K942	O	O	CAPACITOR,CHIP[CERAMIC M/L HD	0.1UF 50V Z Y5V(F) 1508 R/TP	
		C294	0CH1104K942	O	O	CAPACITOR,CHIP[CERAMIC M/L HD	0.1UF 50V Z Y5V(F) 1508 R/TP	
		C295	0CH1104K942	O	O	CAPACITOR,CHIP[CERAMIC M/L HD	0.1UF 50V Z Y5V(F) 1508 R/TP	
		C296	0CH1104K942	O	O	CAPACITOR,CHIP[CERAMIC M/L HD	0.1UF 50V Z Y5V(F) 1508 R/TP	
		C297	0CH8477C611	O	O	CAPACITOR,CHIP[AL. ELECTROLYTI	470UF 6.3V M 85STD(CYL) R/TP	
		C2A0	0CH8476C611	O	O	CAPACITOR,CHIP[AL. ELECTROLYTI	47UF 6.3V M 85STD(CYL) R/TP	
		C2A3	0CH1104K942	O	O	CAPACITOR,CHIP[CERAMIC M/L HD	0.1UF 50V Z Y5V(F) 1508 R/TP	
		C2A4	0CH8106F611	O	O	CAPACITOR,CHIP[AL. ELECTROLYTI	10UF 16V M 85STD(CYL) R/TP	
		C2A5	0CH1683F942	O	O	CAPACITOR,FIXED CERAMIC(Temp.c	0.068UF 16V 80%,-20% Y5V(F) 16	
		C2A6	0CH1102K562	O	O	CAPACITOR,FIXED CERAMIC(Temp.c	1000PF 50V 10% X7R(X) 1608 R/T	
		C2A7	0CH1104K942	O	O	CAPACITOR,CHIP[CERAMIC M/L HD	0.1UF 50V Z Y5V(F) 1508 R/TP	
		C2A8	0CH1152K562	O	O	CAPACITOR,FIXED CERAMIC(Temp.c	1500PF 50V 10% X7R(X) 1608 R/T	
		C2A9	0CH1104K942	O	O	CAPACITOR,CHIP[CERAMIC M/L HD	0.1UF 50V Z Y5V(F) 1508 R/TP	
		C2B3	0CH1392K562	O	O	CAPACITOR,FIXED CERAMIC(Temp.c	3900PF 50V K Z5U(E) 1608 R/TP	
		C2B4	0CH1683F942	O	O	CAPACITOR,FIXED CERAMIC(Temp.c	0.068UF 16V 80%,-20% Y5V(F) 16	
		C2B5	0CH1333K562	O	O	CAPACITOR,CHIP[CERAMIC M/L HD	0.033UF 50V K X7R(X) 1508 R/TP	
		C2B9	0CH1104K942	O	O	CAPACITOR,CHIP[CERAMIC M/L HD	0.1UF 50V Z Y5V(F) 1508 R/TP	
		C2C1	0CH1103K562	O	O	CAPACITOR,FIXED CERAMIC(Temp.c	0.01UF 50V 10% X7R(X) 1608 R/T	
		C2C2	0CH8106F611	O	O	CAPACITOR,CHIP[AL. ELECTROLYTI	10UF 16V M 85STD(CYL) R/TP	
		C2C4	0CH1102K562	O	O	CAPACITOR,FIXED CERAMIC(Temp.c	1000PF 50V 10% X7R(X) 1608 R/T	
		C2C5	0CH1332K562	O	O	CAPACITOR,CHIP[CERAMIC M/L HD	3300P 50V K X7R 1.6X0.8 R/TP	
		C2C6	0CH1102K562	O	O	CAPACITOR,FIXED CERAMIC(Temp.c	1000PF 50V 10% X7R(X) 1608 R/T	
		C2C8	0CH1104K942	O	O	CAPACITOR,CHIP[CERAMIC M/L HD	0.1UF 50V Z Y5V(F) 1508 R/TP	
		C2C9	0CH8106F611	O	O	CAPACITOR,CHIP[AL. ELECTROLYTI	10UF 16V M 85STD(CYL) R/TP	
		C2D0	0CH8476C611	O	O	CAPACITOR,CHIP[AL. ELECTROLYTI	47UF 6.3V M 85STD(CYL) R/TP	
		C2D1	0CH8476C611	O	O	CAPACITOR,CHIP[AL. ELECTROLYTI	47UF 6.3V M 85STD(CYL) R/TP	
		C2D2	0CH1104K942	O	O	CAPACITOR,CHIP[CERAMIC M/L HD	0.1UF 50V Z Y5V(F) 1508 R/TP	
		C2D3	0CH1104K942	O	O	CAPACITOR,CHIP[CERAMIC M/L HD	0.1UF 50V Z Y5V(F) 1508 R/TP	
		C2D4	0CH8476C611	O	O	CAPACITOR,CHIP[AL. ELECTROLYTI	47UF 6.3V M 85STD(CYL) R/TP	
		C2D5	0CH8106F611	O	O	CAPACITOR,CHIP[AL. ELECTROLYTI	10UF 16V M 85STD(CYL) R/TP	
		C2D6	0CH1104K942	O	O	CAPACITOR,CHIP[CERAMIC M/L HD	0.1UF 50V Z Y5V(F) 1508 R/TP	
		C2D7	0CH1152K562	O	O	CAPACITOR,FIXED CERAMIC(Temp.c	1500PF 50V 10% X7R(X) 1608 R/T	

S	AL	LOCA.NO	PART NO(LG)	A	B	DESCRIPTION	SPECIFICATION	REMARKS
		C2D9	0CH1104K942	O	O	CAPACITOR,CHIP[CERAMIC M/L HD	0.1UF 50V Z Y5V(F) 1508 R/TP	
		C2M2	0CH1682K562	O	O	CAPACITOR,CHIP[CERAMIC M/L HD	6800P 50V K X7R 1.6X0.8 R/TP	
		C2M3	0CH1472K562	O	O	CAPACITOR,CHIP[CERAMIC M/L HD	4700PF 50V K X7R(X) 1608 R/TP	
		C2M4	0CH1104K942	O	O	CAPACITOR,CHIP[CERAMIC M/L HD	0.1UF 50V Z Y5V(F) 1508 R/TP	
		C2M5	0CH1104K942	O	O	CAPACITOR,CHIP[CERAMIC M/L HD	0.1UF 50V Z Y5V(F) 1508 R/TP	
		C2M6	0CH8107F611	O	O	CAPACITOR,CHIP[AL. ELECTROLYTI	100UF 16V M 85STD(CYL) R/TP	
		C2M7	0CH1225F944	O	O	CAPACITOR,FIXED CERAMIC(Temp.c	2.2UF 16V 80%,-20% Y5V(F) 3216	
		C2M9	0CH1104K942	O	O	CAPACITOR,CHIP[CERAMIC M/L HD	0.1UF 50V Z Y5V(F) 1508 R/TP	
		C2N1	0CH1104K942	O	O	CAPACITOR,CHIP[CERAMIC M/L HD	0.1UF 50V Z Y5V(F) 1508 R/TP	
		C2N2	0CH1104K942	O	O	CAPACITOR,CHIP[CERAMIC M/L HD	0.1UF 50V Z Y5V(F) 1508 R/TP	
		C2N3	0CH1104K942	O	O	CAPACITOR,CHIP[CERAMIC M/L HD	0.1UF 50V Z Y5V(F) 1508 R/TP	
		C2N4	0CH1104K942	O	O	CAPACITOR,CHIP[CERAMIC M/L HD	0.1UF 50V Z Y5V(F) 1508 R/TP	
		C2N5	0CH1104K942	O	O	CAPACITOR,CHIP[CERAMIC M/L HD	0.1UF 50V Z Y5V(F) 1508 R/TP	
		C2N6	0CH1223K942	O	O	CAPACITOR,CHIP[CERAMIC M/L HD	0.022UF 50V Z Y5V(F) 1508 R/TP	
		C2N7	0CH8476C611	O	O	CAPACITOR,CHIP[AL. ELECTROLYTI	47UF 6.3V M 85STD(CYL) R/TP	
		C2N8	0CH8476C611	O	O	CAPACITOR,CHIP[AL. ELECTROLYTI	47UF 6.3V M 85STD(CYL) R/TP	
		C301	0CH1104K942	O	O	CAPACITOR,CHIP[CERAMIC M/L HD	0.1UF 50V Z Y5V(F) 1508 R/TP	
		C302	0CH1225F944	O	O	CAPACITOR,FIXED CERAMIC(Temp.c	2.2UF 16V 80%,-20% Y5V(F) 3216	
		C303	0CH1104K942	O	O	CAPACITOR,CHIP[CERAMIC M/L HD	0.1UF 50V Z Y5V(F) 1508 R/TP	
		C304	0CH1104K942	O	O	CAPACITOR,CHIP[CERAMIC M/L HD	0.1UF 50V Z Y5V(F) 1508 R/TP	
		C305	0CH1104K942	O	O	CAPACITOR,CHIP[CERAMIC M/L HD	0.1UF 50V Z Y5V(F) 1508 R/TP	
		C306	0CH1104K942	O	O	CAPACITOR,CHIP[CERAMIC M/L HD	0.1UF 50V Z Y5V(F) 1508 R/TP	
		C307	0CH1104K942	O	O	CAPACITOR,CHIP[CERAMIC M/L HD	0.1UF 50V Z Y5V(F) 1508 R/TP	
		C308	0CH8476C611	O	O	CAPACITOR,CHIP[AL. ELECTROLYTI	47UF 6.3V M 85STD(CYL) R/TP	
		C309	0CH1225F944	O	O	CAPACITOR,FIXED CERAMIC(Temp.c	2.2UF 16V 80%,-20% Y5V(F) 3216	
		C310	0CH1103K562	O	O	CAPACITOR,FIXED CERAMIC(Temp.c	0.01UF 50V 10% X7R(X) 1608 R/T	
		C311	0CH8476C611	O	O	CAPACITOR,CHIP[AL. ELECTROLYTI	47UF 6.3V M 85STD(CYL) R/TP	
		C314	0CH1104K942	O	O	CAPACITOR,CHIP[CERAMIC M/L HD	0.1UF 50V Z Y5V(F) 1508 R/TP	
		C316	0CH1104K942	O	O	CAPACITOR,CHIP[CERAMIC M/L HD	0.1UF 50V Z Y5V(F) 1508 R/TP	
		C317	0CH8476C611	O	O	CAPACITOR,CHIP[AL. ELECTROLYTI	47UF 6.3V M 85STD(CYL) R/TP	
		C318	0CH1104K942	O	O	CAPACITOR,CHIP[CERAMIC M/L HD	0.1UF 50V Z Y5V(F) 1508 R/TP	
		C319	0CH1104K942	O	O	CAPACITOR,CHIP[CERAMIC M/L HD	0.1UF 50V Z Y5V(F) 1508 R/TP	
		C320	0CH1104K942	O	O	CAPACITOR,CHIP[CERAMIC M/L HD	0.1UF 50V Z Y5V(F) 1508 R/TP	
		C321	0CH1104K942	O	O	CAPACITOR,CHIP[CERAMIC M/L HD	0.1UF 50V Z Y5V(F) 1508 R/TP	
		C3F1	0CH1225F944	O	O	CAPACITOR,FIXED CERAMIC(Temp.c	2.2UF 16V 80%,-20% Y5V(F) 3216	
		C3F2	0CH1104K942	O	O	CAPACITOR,CHIP[CERAMIC M/L HD	0.1UF 50V Z Y5V(F) 1508 R/TP	
		C3F3	0CH8476C611	O	O	CAPACITOR,CHIP[AL. ELECTROLYTI	47UF 6.3V M 85STD(CYL) R/TP	
		C401	0CH8476C611	O	O	CAPACITOR,CHIP[AL. ELECTROLYTI	47UF 6.3V M 85STD(CYL) R/TP	
		C402	0CH8476C611	O	O	CAPACITOR,CHIP[AL. ELECTROLYTI	47UF 6.3V M 85STD(CYL) R/TP	
		C403	0CH8476C611	O	O	CAPACITOR,CHIP[AL. ELECTROLYTI	47UF 6.3V M 85STD(CYL) R/TP	
		C404	0CH8476C611	O	O	CAPACITOR,CHIP[AL. ELECTROLYTI	47UF 6.3V M 85STD(CYL) R/TP	
		C405	0CH8476C611	O	O	CAPACITOR,CHIP[AL. ELECTROLYTI	47UF 6.3V M 85STD(CYL) R/TP	
		C406	0CH1104K942	O	O	CAPACITOR,CHIP[CERAMIC M/L HD	0.1UF 50V Z Y5V(F) 1508 R/TP	
		C408	0CH8106F611	O	O	CAPACITOR,CHIP[AL. ELECTROLYTI	10UF 16V M 85STD(CYL) R/TP	
		C409	0CH8227D611	O	O	CAPACITOR,CHIP[AL. ELECTROLYTI	220UF 10V M 85STD (CYL) R/TP	
		C410	0CH4271K412	O	O	CAPACITOR,FIXED CERAMIC(High d	270PF 50V 5% NP0 1608 R/TP	
		C411	0CH1102K512	O	O	CAPACITOR,FIXED CERAMIC(Temp.c	1000PF 50V 10% B(5YP) 1608 R/T	
		C412	0CH4271K412	O	O	CAPACITOR,FIXED CERAMIC(High d	270PF 50V 5% NP0 1608 R/TP	
		C413	0CH8106F611	O	O	CAPACITOR,CHIP[AL. ELECTROLYTI	10UF 16V M 85STD(CYL) R/TP	
		C414	0CH1104K942	O	O	CAPACITOR,CHIP[CERAMIC M/L HD	0.1UF 50V Z Y5V(F) 1508 R/TP	
		C415	0CH8106F611	O	O	CAPACITOR,CHIP[AL. ELECTROLYTI	10UF 16V M 85STD(CYL) R/TP	
		C416	0CH1102K512	O	O	CAPACITOR,FIXED CERAMIC(Temp.c	1000PF 50V 10% B(5YP) 1608 R/T	
		C417	0CH4271K412	O	O	CAPACITOR,FIXED CERAMIC(High d	270PF 50V 5% NP0 1608 R/TP	
		C418	0CH1392K562	O	O	CAPACITOR,FIXED CERAMIC(Temp.c	3900PF 50V K Z5U(E) 1608 R/TP	
		C419	0CH8107F611	O	O	CAPACITOR,CHIP[AL. ELECTROLYTI	100UF 16V M 85STD(CYL) R/TP	
		C420	0CH1392K562	O	O	CAPACITOR,FIXED CERAMIC(Temp.c	3900PF 50V K Z5U(E) 1608 R/TP	
		C421	0CH8107F611	O	O	CAPACITOR,CHIP[AL. ELECTROLYTI	100UF 16V M 85STD(CYL) R/TP	
		C422	0CH8106F611	O	O	CAPACITOR,CHIP[AL. ELECTROLYTI	10UF 16V M 85STD(CYL) R/TP	
		C423	0CH4271K412	O	O	CAPACITOR,FIXED CERAMIC(High d	270PF 50V 5% NP0 1608 R/TP	

S	AL	LOCA.NO	PART NO(LG)	A	B	DESCRIPTION	SPECIFICATION	REMARKS
		C424	0CH1104K942	O	O	CAPACITOR,CHIP[CERAMIC M/L HD	0.1UF 50V Z Y5V(F) 1508 R/TP	
		C501	0CH8476C611	O	O	CAPACITOR,CHIP[AL. ELECTROLYTI	47UF 6.3V M 85STD(CYL) R/TP	
		C503	0CH1104K942	O	O	CAPACITOR,CHIP[CERAMIC M/L HD	0.1UF 50V Z Y5V(F) 1508 R/TP	
		C504	0CH8106F611	O	O	CAPACITOR,CHIP[AL. ELECTROLYTI	10UF 16V M 85STD(CYL) R/TP	
		C506	0CH1225F944	O	O	CAPACITOR,FIXED CERAMIC(Temp.c	2.2UF 16V 80%,-20% Y5V(F) 3216	
		C507	0CH8476C611	O	O	CAPACITOR,CHIP[AL. ELECTROLYTI	47UF 6.3V M 85STD(CYL) R/TP	
		C508	0CH1104K942	O	O	CAPACITOR,CHIP[CERAMIC M/L HD	0.1UF 50V Z Y5V(F) 1508 R/TP	
		C509	0CH1104K942	O	O	CAPACITOR,CHIP[CERAMIC M/L HD	0.1UF 50V Z Y5V(F) 1508 R/TP	
		C510	0CH1104K942	O	O	CAPACITOR,CHIP[CERAMIC M/L HD	0.1UF 50V Z Y5V(F) 1508 R/TP	
		C511	0CH1104K942	O	O	CAPACITOR,CHIP[CERAMIC M/L HD	0.1UF 50V Z Y5V(F) 1508 R/TP	
		C512	0CH1104K942	O	O	CAPACITOR,CHIP[CERAMIC M/L HD	0.1UF 50V Z Y5V(F) 1508 R/TP	
		C513	0CH1104K942	O	O	CAPACITOR,CHIP[CERAMIC M/L HD	0.1UF 50V Z Y5V(F) 1508 R/TP	
		C514	0CH1104K942	O	O	CAPACITOR,CHIP[CERAMIC M/L HD	0.1UF 50V Z Y5V(F) 1508 R/TP	
		C515	0CH1104K942	O	O	CAPACITOR,CHIP[CERAMIC M/L HD	0.1UF 50V Z Y5V(F) 1508 R/TP	
		C516	0CH1104K942	O	O	CAPACITOR,CHIP[CERAMIC M/L HD	0.1UF 50V Z Y5V(F) 1508 R/TP	
		C517	0CH1104K942	O	O	CAPACITOR,CHIP[CERAMIC M/L HD	0.1UF 50V Z Y5V(F) 1508 R/TP	
		C518	0CH1104K942	O	O	CAPACITOR,CHIP[CERAMIC M/L HD	0.1UF 50V Z Y5V(F) 1508 R/TP	
		C519	0CH1104K942	O	O	CAPACITOR,CHIP[CERAMIC M/L HD	0.1UF 50V Z Y5V(F) 1508 R/TP	
		C520	0CH1104K942	O	O	CAPACITOR,CHIP[CERAMIC M/L HD	0.1UF 50V Z Y5V(F) 1508 R/TP	
		C521	0CH1104K942	O	O	CAPACITOR,CHIP[CERAMIC M/L HD	0.1UF 50V Z Y5V(F) 1508 R/TP	
		C522	0CH1104K942	O	O	CAPACITOR,CHIP[CERAMIC M/L HD	0.1UF 50V Z Y5V(F) 1508 R/TP	
		C523	0CH1225F944	O	O	CAPACITOR,FIXED CERAMIC(Temp.c	2.2UF 16V 80%,-20% Y5V(F) 3216	
		C525	0CH1104K942	O	O	CAPACITOR,CHIP[CERAMIC M/L HD	0.1UF 50V Z Y5V(F) 1508 R/TP	
		C526	0CH1104K942	O	O	CAPACITOR,CHIP[CERAMIC M/L HD	0.1UF 50V Z Y5V(F) 1508 R/TP	
		C527	0CH1104K942	O	O	CAPACITOR,CHIP[CERAMIC M/L HD	0.1UF 50V Z Y5V(F) 1508 R/TP	
		C528	0CH1104K942	O	O	CAPACITOR,CHIP[CERAMIC M/L HD	0.1UF 50V Z Y5V(F) 1508 R/TP	
		C529	0CH1104K942	O	O	CAPACITOR,CHIP[CERAMIC M/L HD	0.1UF 50V Z Y5V(F) 1508 R/TP	
		C530	0CH1104K942	O	O	CAPACITOR,CHIP[CERAMIC M/L HD	0.1UF 50V Z Y5V(F) 1508 R/TP	
		C531	0CH1104K942	O	O	CAPACITOR,CHIP[CERAMIC M/L HD	0.1UF 50V Z Y5V(F) 1508 R/TP	
		C532	0CH1104K942	O	O	CAPACITOR,CHIP[CERAMIC M/L HD	0.1UF 50V Z Y5V(F) 1508 R/TP	
		C533	0CH1104K942	O	O	CAPACITOR,CHIP[CERAMIC M/L HD	0.1UF 50V Z Y5V(F) 1508 R/TP	
		C534	0CH1104K942	O	O	CAPACITOR,CHIP[CERAMIC M/L HD	0.1UF 50V Z Y5V(F) 1508 R/TP	
		C535	0CH1104K942	O	O	CAPACITOR,CHIP[CERAMIC M/L HD	0.1UF 50V Z Y5V(F) 1508 R/TP	
		C536	0CH1104K942	O	O	CAPACITOR,CHIP[CERAMIC M/L HD	0.1UF 50V Z Y5V(F) 1508 R/TP	
		C538	0CH1225F944	O	O	CAPACITOR,FIXED CERAMIC(Temp.c	2.2UF 16V 80%,-20% Y5V(F) 3216	
		C540	0CH4180K412	O	O	CAPACITOR,CHIP[CERAMIC M/L TC	18P 50V J COG 1.6X0.8 R/TP	
		C541	0CH4270K412	O	O	CAPACITOR,CHIP[CERAMIC M/L TC	27PF 50V J NP0 1608 R/TP	
		C542	0CH8476C611	O	O	CAPACITOR,CHIP[AL. ELECTROLYTI	47UF 6.3V M 85STD(CYL) R/TP	
		C543	0CH1104K942	O	O	CAPACITOR,CHIP[CERAMIC M/L HD	0.1UF 50V Z Y5V(F) 1508 R/TP	
		C544	0CH1225F944	O	O	CAPACITOR,FIXED CERAMIC(Temp.c	2.2UF 16V 80%,-20% Y5V(F) 3216	
		C546	0CH4221K412	O	O	CAPACITOR,CHIP[CERAMIC M/L TC	220P 50V J COG 1.6X0.8 R/TP	
		C549	0CH4221K412	O	O	CAPACITOR,CHIP[CERAMIC M/L TC	220P 50V J COG 1.6X0.8 R/TP	
		C550	0CH1104K942	O	O	CAPACITOR,CHIP[CERAMIC M/L HD	0.1UF 50V Z Y5V(F) 1508 R/TP	
		C553	0CH4221K412	O	O	CAPACITOR,CHIP[CERAMIC M/L TC	220P 50V J COG 1.6X0.8 R/TP	
		C554	0CH1104K942	O	O	CAPACITOR,CHIP[CERAMIC M/L HD	0.1UF 50V Z Y5V(F) 1508 R/TP	
		C555	0CH4101K412	O	O	CHIP CAPA CERAMIC M/L T.C F/S	100P 50V J COG 1.6X0.8 R/TP	
		C556	0CH4101K412	O	O	CHIP CAPA CERAMIC M/L T.C F/S	100P 50V J COG 1.6X0.8 R/TP	
		C557	0CH4270K412	O	O	CAPACITOR,CHIP[CERAMIC M/L TC	27PF 50V J NP0 1608 R/TP	
		C558	0CH8105K611	O		CAPACITOR,CHIP[AL. ELECTROLYTI	1UF 50V M 85STD(CYL) R/TP	
		C559	0CH1225F944	O		CAPACITOR,FIXED CERAMIC(Temp.c	2.2UF 16V 80%,-20% Y5V(F) 3216	
		C560	0CH8107F611	O		CAPACITOR,CHIP[AL. ELECTROLYTI	100UF 16V M 85STD(CYL) R/TP	
		C561	0CH8226C611	O		CAPACITOR,CHIP[AL. ELECTROLYTI	22UF 6.3V M 4343 R/TP	
		C562	0CH8476C611	O	O	CAPACITOR,CHIP[AL. ELECTROLYTI	47UF 6.3V M 85STD(CYL) R/TP	
		C563	0CH1225F944	O	O	CAPACITOR,FIXED CERAMIC(Temp.c	2.2UF 16V 80%,-20% Y5V(F) 3216	
		C570	0CH8476C611	O	O	CAPACITOR,CHIP[AL. ELECTROLYTI	47UF 6.3V M 85STD(CYL) R/TP	
		C571	0CH1225F944	O	O	CAPACITOR,FIXED CERAMIC(Temp.c	2.2UF 16V 80%,-20% Y5V(F) 3216	
		C606	0CN1040K948	O	O	CAPACITOR,FIXED TUBULAR(High d	0.1UF D 50V 80%,-20% F(Y5V) TA	
		C607	0CN1040K948	O	O	CAPACITOR,FIXED TUBULAR(High d	0.1UF D 50V 80%,-20% F(Y5V) TA	
		C901	0CN1040K948	O	O	CAPACITOR,FIXED TUBULAR(High d	0.1UF D 50V 80%,-20% F(Y5V) TA	

S	AL	LOCA.NO	PART NO(LG)	A	B	DESCRIPTION	SPECIFICATION	REMARKS
		C905	0CN6810K518	O	O	CAPACITOR TUBULA(HIGH DIELE)	680P 50V K B TA26	
		C907	0CE4763C638	O	O	CAPACITOR,FIXED ELECTROLYTIC	47UF SRE,SE 6.3V 20% FM5 TP 5	
		C909	0CE1064K638	O	O	CAPACITOR,FIXED ELECTROLYTIC	10M SRA 50V M FM5 TP(5)	
		C910	0CN1040K948	O	O	CAPACITOR,FIXED TUBULAR(High d	0.1UF D 50V 80%,-20% F(Y5V) TA	
		C911	0CN1040K948	O	O	CAPACITOR,FIXED TUBULAR(High d	0.1UF D 50V 80%,-20% F(Y5V) TA	
		C912	0CE4763C638	O	O	CAPACITOR,FIXED ELECTROLYTIC	47UF SRE,SE 6.3V 20% FM5 TP 5	
		C918	0CN1030F678	O	O	CAPACITOR TUBULA(HIGH DIELE)	0.01M 16V M Y TA26	
		C919	0CN1030F678	O	O	CAPACITOR TUBULA(HIGH DIELE)	0.01M 16V M Y TA26	
		C920	0CE1063F638	O	O	CAPACITOR,AL.ELECTROLYTIC	10M SRE/SE 16V M FM5 TP(5)	
		C921	0CE4763C638	O	O	CAPACITOR,FIXED ELECTROLYTIC	47UF SRE,SE 6.3V 20% FM5 TP 5	
DIODE&DIGITRON								
		D100	0DD221009AA	O	O	DIODE,RECTIFIERS	ERA22-10 KFLB,TP ,R T/P,FUJI	
		D102	0DR158220AA	O	O	DIODE,RECTIFIER	1N5822 BK RECTRON DO201AD 40V	
		D103	0DR310000AA	O	O	DIODE,RECTIFIERS	RU3YXLF-C1 BK SANKEN D4 100V 2	
		D104	0DD010009AC	O	O	DIODE	EU01W(R-FORM) TP SANKEN	
		D106	0DR104009AB	O	O	DIODE,RECTIFIER	RL104 R. TP GULF SEMICONDUCTOR	
		D107	0DD010009AC	O	O	DIODE	EU01W(R-FORM) TP SANKEN	
		D108	0DD010009AC	O	O	DIODE	EU01W(R-FORM) TP SANKEN	
		D109	0DR310000AA	O	O	DIODE,RECTIFIERS	RU3YXLF-C1 BK SANKEN D4 100V 2	
		D110	0DR104009BA	O	O	DIODE,RECTIFIER	RL104F TP RECTRON NON 400V 1A	
		D111	0DRRE00029A	O	O	DIODE,RECTIFIERS	1N17 RECTRON TP NON 20V 1A 20	
		D2A1	0DS202009CA	O	O	DIODE,SWITCHING	DAN202K TP ROHM KOREA SOT23 80	
		D2A2	0DS202009CA	O	O	DIODE,SWITCHING	DAN202K TP ROHM KOREA SOT23 80	
		D2A3	0DS202009CA	O	O	DIODE,SWITCHING	DAN202K TP ROHM KOREA SOT23 80	
		D601	0DS141489BB	O	O	DIODE,SWITCHING	1N4148 26MM TP GRANDE DO34 75V	
		D603	0DS141489BB	O	O	DIODE,SWITCHING	1N4148 26MM TP GRANDE DO34 75V	
		D604	0DS141489BB	O	O	DIODE,SWITCHING	1N4148 26MM TP GRANDE DO34 75V	
		DIG901	6302RCV103B	O	O	DIGITRON	VFD20-0703FN ZEC SEG VFD DVD 5	
FUSE								
		F101	585-011T	O		FUSE,SLOW BLOW	1600MA 250 V 5.2X20 CY/GL SEMK	
		F101	585-027B	O		FUSE,SLOW BLOW	1600MA 250 V 5.2X20 CY/GL KS/	
IC								
		F102	GIRH100000B	O	O	IC,ROHM	ICP-N10 T104 TP IC DETACT	
		IC101	0IPMGFA024A	O	O	IC,POWER MANAGEMENT	KA5M0265R-YDTU FAIRCHILD TO-22	
		IC103	0IKE781200S	O	O	IC,KEC	KIA78R12PI CU 4P TO-220IS ST 1	
		IC104	0IKE431000A	O	O	IC,KEC	KIA431 3 PIN TP	
		IC105	0IPMGFA016A	O	O	IC,POWER MANAGEMENT	KA78R08TSTU FAIRCHILD 4P TO-22	
		IC106	0IPMGFA015A	O	O	IC,POWER MANAGEMENT	KA78R33TSTU FAIRCHILD 4P TO-22	
		IC107	0IPMGFA015A	O	O	IC,POWER MANAGEMENT	KA78R33TSTU FAIRCHILD 4P TO-22	
		IC201	0ILNRHY002B	O	O	IC,LINEAR	HDC25D811B HYUNDAI 208 QFP TRA	
		IC203	0IEB121616B	O	O	IC,ELITE MEMORY TECHNOLOGY	M12L16161A-7T-L 50PIN TSOP TRA	
		IC206	0GITO704000F	O	O	IC,TOSHIBA	TC7W04FU	
		IC2A1	0ILNRHI003A	O	O	IC,LINEAR	HD153702TF HITACHI 64 TQFP TRA	
		IC2A2	0IJR341400C	O	O	IC,JRC	NJM3414AM-TE1,3K/REEL. JRC	
		IC2A4	0IKE393000G	O	O	IC,KEC	KIA393F-EL FLP-8 TP DUAL COMPA	
		IC2M1	0IFA303100A	O	O	IC,FAIRCHILD	KA3031 48P QFP BK 6CH MOTOR DR	
		IC301	0ICTMHY011A	O	O	IC,CUSTOMIZED	HS353106 HYNIX 100 TQFP TRAY C	
		IC305	0IMMRHY025A	O	O	IC,MEMORIES	HY57643220CT-7I HYUNDAI 86P TS	
		IC3F1A	6957R-3161E		O	PROGRAM	DMN5026N EVNT NAD CHANGER PROG	
		IC3F1A	6957R-3161H	O		PROGRAM	DMN5025E EVNT NAD CHANGER T-57	
		IC401	0IPRPCI003B	O	O	IC,PERIPHERALS	CS4391-KZR CIRRUS LOGIC 20 TSS	
		IC402	0IJR458000B	O	O	IC,JRC	NJM4580M 8,DMP8 TP OP AMP 2K/R	
		IC501	0INS860100A	O	O	IC,NATIONAL SEMICONDUCTOR	NDV8601 240 VQFP BK MICOM+MPEG	
		IC502	0IMMRAL012A	O	O	IC,MEMORIES	AT93C56-10SC(SI)-2.7-8S1 ATMEL	
		IC503	0IFA742440F	O	O	IC,FAIRCHILD	MM74HCT244SJ 20P SOIC TP 3-STA	
		IC504	0IPRPMT002A	O		IC,PERIPHERALS	MM1510XNRE MITSUMI 6,SOT-26A R	
		IC506	0IPMGRH003A	O	O	IC,POWER MANAGEMENT	BA18BC0FP-E2 ROHM 3P TO252-3 R	
		IC901	0IMCRHY031B	O	O	IC,MICRO CONTROLLER	GMS81C2012-HI013 HYUNDAI 64 MQ	
		IC902	0IKE704200B	O	O	IC,KEC	KIA7042P 3P 4.2V RESET(TAPING)	

S	AL	LOCA.NO	PART NO(LG)	A	B	DESCRIPTION	SPECIFICATION	REMARKS
JACK								
		JK601	6612R-L007A	O	O	JACK,FIBER OPTIC	GP1FA550TZ SHARP VE	
		JK602	6612R-C006G		O	JACK,RCA	RCA DIN-11G YUQIU D-GND R9P+DI	
		JK602	6612R-C006H	O		JACK,RCA	RCA DIN-09G YUQIU D-GND R4P+DI	
		JK603	6612F00007A	O	O	JACK,PHONE	PJ-308-01 YUQIU	
		JK604	6612R-K001E	O		JACK,RCA	RGB-08A YUQIU 1F(BK) W/SHIELD	
COIL&FILTER&LED								
		F602	6200HJC901A	O	O	FILTER(CIRC),EMC	CFI06B1H101MF SAMHWA TP 2-5K	
		F603	6200HJC901A	O	O	FILTER(CIRC),EMC	CFI06B1H101MF SAMHWA TP 2-5K	
		F604	6200HJC901A	O	O	FILTER(CIRC),EMC	CFI06B1H101MF SAMHWA TP 2-5K	
		F605	6200HJC901A	O	O	FILTER(CIRC),EMC	CFI06B1H101MF SAMHWA TP 2-5K	
		F606	6200HJC901A	O	O	FILTER(CIRC),EMC	CFI06B1H101MF SAMHWA TP 2-5K	
		F607	6200HJC901A	O	O	FILTER(CIRC),EMC	CFI06B1H101MF SAMHWA TP 2-5K	
		F608	6200HJC901A	O	O	FILTER(CIRC),EMC	CFI06B1H101MF SAMHWA TP 2-5K	
		F612	6200HJC901A		O	FILTER(CIRC),EMC	CFI06B1H101MF SAMHWA TP 2-5K	
		F613	6200HJC901A		O	FILTER(CIRC),EMC	CFI06B1H101MF SAMHWA TP 2-5K	
		F617	6200HJC901A	O		FILTER(CIRC),EMC	CFI06B1H101MF SAMHWA TP 2-5K	
		F618	6200HJC901A	O		FILTER(CIRC),EMC	CFI06B1H101MF SAMHWA TP 2-5K	
		F622	6200HJC901A	O		FILTER(CIRC),EMC	CFI06B1H101MF SAMHWA TP 2-5K	
	△	L101	616-145M	O	O	FILTER(CIRC),DRAWING	V-04350 LS FUTAI BULK =616-145	
		L102	633-088D	O	O	COIL,CHOKE	CHOCK ,20UH KWANGSUNG LEAD CU	
		L103	633-088G	O	O	COIL,CHOKE	CHOCK(22MH) 5MM TOKO TP	
		L105	633-088G	O	O	COIL,CHOKE	CHOCK(22MH) 5MM TOKO TP	
		L201	6200HJC102A	O	O	FILTER(CIRC),EMC	HB-1M2012-102JT CERATECH TP	
		L203	6200HJC102A	O	O	FILTER(CIRC),EMC	HB-1M2012-102JT CERATECH TP	
		L206	6200HJC102A	O	O	FILTER(CIRC),EMC	HB-1M2012-102JT CERATECH TP	
		L207	6200HJC102A	O	O	FILTER(CIRC),EMC	HB-1M2012-102JT CERATECH TP	
		L208	6200HJC102A	O	O	FILTER(CIRC),EMC	HB-1M2012-102JT CERATECH TP	
		L2A1	6200HJC102A	O	O	FILTER(CIRC),EMC	HB-1M2012-102JT CERATECH TP	
		L2A2	6200HJC102A	O	O	FILTER(CIRC),EMC	HB-1M2012-102JT CERATECH TP	
		L301	6200HJC102A	O	O	FILTER(CIRC),EMC	HB-1M2012-102JT CERATECH TP	
		L302	6200HJC102A	O	O	FILTER(CIRC),EMC	HB-1M2012-102JT CERATECH TP	
		L3F1	6200HJC102A	O	O	FILTER(CIRC),EMC	HB-1M2012-102JT CERATECH TP	
		L501	6200HJC102A	O	O	FILTER(CIRC),EMC	HB-1M2012-102JT CERATECH TP	
		L502	6200HJC102A	O	O	FILTER(CIRC),EMC	HB-1M2012-102JT CERATECH TP	
		L504	6200HJC102A	O	O	FILTER(CIRC),EMC	HB-1M2012-102JT CERATECH TP	
		L505	6200HJC102A	O	O	FILTER(CIRC),EMC	HB-1M2012-102JT CERATECH TP	
		L506	6200HJC102A	O	O	FILTER(CIRC),EMC	HB-1M2012-102JT CERATECH TP	
		L508	6200HJC102A	O	O	FILTER(CIRC),EMC	HB-1M2012-102JT CERATECH TP	
		L603	0LA0101K018	O	O	INDUCTOR AXIAL LEAD	1.0M K 2.3X3.4 L5 TP	
		L604	0LA0101K018	O	O	INDUCTOR AXIAL LEAD	1.0M K 2.3X3.4 L5 TP	
		L901	0LR1000K035	O	O	INDUCTOR RADIAL LEAD	100M K 6X6 L5 TP	
		LED901	0DLAU0029AA	O	O	LED	AUK SYM3272 (YELLOW-GREEN,GREE	
TRANSFORMER								
	△	T101	642-024E	O	O	TRANSFORMER,SMPS	SJE-024E SOOJEONG WIDE EER2828	
TRANSISTOR								
		Q107	0TR127309AA	O	O	TRANSISTOR	KTA1273-TP-Y (KTA966A)KEC	
		Q108	0TR319809AC	O	O	TRANSISTOR	KTC3198-TP-BL (KTC1815)KEC	
		Q2A1	0TR103709BB	O	O	TRANSISTOR	2SA1037K-Q CHIP ROHM-J	
		Q2A2	0TR103709BB	O	O	TRANSISTOR	2SA1037K-Q CHIP ROHM-J	
		Q2A5	0TR388209AA	O	O	TRANSISTOR,BIPOLARS	CHIP KTC3882 SOT-23 TP KEC - -	
		Q2A6	0TR388209AA	O	O	TRANSISTOR,BIPOLARS	CHIP KTC3882 SOT-23 TP KEC - -	
		Q2M1	0TR103009AA	O	O	TRANSISTOR	CHIP KRC103S-T1(NC)22-22 KEC	
		Q301	0TR103009AA	O	O	TRANSISTOR	CHIP KRC103S-T1(NC)22-22 KEC	
		Q603	0TR103009AE	O		TRANSISTOR	KRC103M-TP (KRC1203) KEC	
		Q605	0TR103009AF	O	O	TRANSISTOR	KRA103M-TP (KRA2203) KEC	
		Q606	0TR103009AF	O	O	TRANSISTOR	KRA103M-TP (KRA2203) KEC	
		Q607	0TR319809AC	O	O	TRANSISTOR	KTC3198-TP-BL (KTC1815)KEC	
		Q608	0TR319809AC	O	O	TRANSISTOR	KTC3198-TP-BL (KTC1815)KEC	

S	AL	LOCA.NO	PART NO(LG)	A	B	DESCRIPTION	SPECIFICATION	REMARKS
		Q615	0TR126609AE	O	O	TRANSISTOR	KTA1266-GR,TP(KTA1015),KEC	
		Q901	0TR103009AE	O	O	TRANSISTOR	KRC103M-TP (KRC1203) KEC	
		Q902	0TR103009AE	O	O	TRANSISTOR	KRC103M-TP (KRC1203) KEC	
		Q903	0TR319809AC	O	O	TRANSISTOR	KTC3198-TP-BL (KTC1815)KEC	
RESISTOR								
		R101	614-007A	O	O	RESISTOR	2.7/2W CEMENT SMPS V	
		R102	0RD2203F608	O	O	RESISTOR,FIXED CARBON FILM	220K OHM 1/6 W 5.00% TA26	
		R103	0RS5602K619	O	O	RESISTOR,FIXED METAL OXIDE FIL	56K OHM 2 W 5.00% TR	
		R104	0RD2203F608	O	O	RESISTOR,FIXED CARBON FILM	220K OHM 1/6 W 5.00% TA26	
		R112	0RD0391F608	O	O	RESISTOR,FIXED CARBON FILM	3.9 OHM 1/6 W 5.00% TA26	
		R114	0RD1003F608	O	O	RESISTOR,FIXED CARBON FILM	100K OHM 1/6 W 5.00% TA26	
		R120	0RD4702F608	O	O	RESISTOR,FIXED CARBON FILM	47K OHM 1/6 W 5.00% TA26	
		R121	0RD1201F608	O	O	RESISTOR,FIXED CARBON FILM	1.2K OHM 1/6 W 5.00% TA26	
		R122	0RD2200F608	O	O	RESISTOR,FIXED CARBON FILM	220 OHM 1/6 W 5.00% TA26	
		R123	0RD1002F608	O	O	RESISTOR,FIXED CARBON FILM	10K OHM 1/6 W 5.00% TA26	
		R124	0RD1800F608	O	O	RESISTOR,FIXED CARBON FILM	180 OHM 1/6 W 5.00% TA26	
		R125	0RD3901F608	O	O	RESISTOR,FIXED CARBON FILM	3.9K OHM 1/6 W 5.00% TA26	
		R126	0RD1001F608	O	O	RESISTOR,FIXED CARBON FILM	1K OHM 1/6 W 5.00% TA26	
		R127	0RN3601E408	O	O	RESISTOR,FIXED METAL FILM	3.6K OHM 1/8 W 1.00% TA26	
		R128	0RN3301E408	O	O	RESISTOR,FIXED METAL FILM	3.3K OHM 1/8 W 1.00% TA26	
		R130	0RD1002F608	O	O	RESISTOR,FIXED CARBON FILM	10K OHM 1/6 W 5.00% TA26	
		R140	0RD1002F608	O	O	RESISTOR,FIXED CARBON FILM	10K OHM 1/6 W 5.00% TA26	
		R141	0RD1002F608	O	O	RESISTOR,FIXED CARBON FILM	10K OHM 1/6 W 5.00% TA26	
		R142	0RD1002F608	O	O	RESISTOR,FIXED CARBON FILM	10K OHM 1/6 W 5.00% TA26	
		R145	0RD4700F608	O	O	RESISTOR,FIXED CARBON FILM	470 OHM 1/6 W 5.00% TA26	
		R201	0RH0000C622	O	O	RESISTOR,METAL GLAZED(CHIP)	0 OHM 1 / 16 W 1608 5.00% D	
		R202	0RH0000C622	O	O	RESISTOR,METAL GLAZED(CHIP)	0 OHM 1 / 16 W 1608 5.00% D	
		R203	0RH1001C622	O	O	RESISTOR,METAL GLAZED(CHIP)	1K OHM 1 / 16 W 1608 5.00% D	
		R204	0RH1001C622	O	O	RESISTOR,METAL GLAZED(CHIP)	1K OHM 1 / 16 W 1608 5.00% D	
		R207	0RH1004C622	O	O	RESISTOR,METAL GLAZED(CHIP)	1M OHM 1 / 16 W 1608 5.00% D	
		R217	0RH0102C622	O	O	RESISTOR,METAL GLAZED(CHIP)	10 OHM 1 / 16 W 1608 5.00% D	
		R218	0RH4700C622	O	O	RESISTOR,METAL GLAZED(CHIP)	470 OHM 1 / 16 W 1608 5.00% D	
		R219	0RH1002C622	O	O	RESISTOR,METAL GLAZED(CHIP)	10K OHM 1 / 16 W 1608 5.00% D	
		R220	0RH1002C622	O	O	RESISTOR,METAL GLAZED(CHIP)	10K OHM 1 / 16 W 1608 5.00% D	
		R221	0RH0000C622	O	O	RESISTOR,METAL GLAZED(CHIP)	0 OHM 1 / 16 W 1608 5.00% D	
		R230	0RH1000C622	O	O	RESISTOR,METAL GLAZED(CHIP)	100 OHM 1 / 16 W 1608 5.00% D	
		R231	0RH1000C622	O	O	RESISTOR,METAL GLAZED(CHIP)	100 OHM 1 / 16 W 1608 5.00% D	
		R232	0RH1000C622	O	O	RESISTOR,METAL GLAZED(CHIP)	100 OHM 1 / 16 W 1608 5.00% D	
		R233	0RH1000C622	O	O	RESISTOR,METAL GLAZED(CHIP)	100 OHM 1 / 16 W 1608 5.00% D	
		R234	0RH1000C622	O	O	RESISTOR,METAL GLAZED(CHIP)	100 OHM 1 / 16 W 1608 5.00% D	
		R235	0RH1000C622	O	O	RESISTOR,METAL GLAZED(CHIP)	100 OHM 1 / 16 W 1608 5.00% D	
		R236	0RH1000C622	O	O	RESISTOR,METAL GLAZED(CHIP)	100 OHM 1 / 16 W 1608 5.00% D	
		R237	0RH1000C622	O	O	RESISTOR,METAL GLAZED(CHIP)	100 OHM 1 / 16 W 1608 5.00% D	
		R239	0RH0000C622	O	O	RESISTOR,METAL GLAZED(CHIP)	0 OHM 1 / 16 W 1608 5.00% D	
		R240	0RH0000C622	O	O	RESISTOR,METAL GLAZED(CHIP)	0 OHM 1 / 16 W 1608 5.00% D	
		R241	0RH0000C622	O	O	RESISTOR,METAL GLAZED(CHIP)	0 OHM 1 / 16 W 1608 5.00% D	
		R242	0RH0000C622	O	O	RESISTOR,METAL GLAZED(CHIP)	0 OHM 1 / 16 W 1608 5.00% D	
		R243	0RH0000C622	O	O	RESISTOR,METAL GLAZED(CHIP)	0 OHM 1 / 16 W 1608 5.00% D	
		R252	0RH0000C622	O	O	RESISTOR,METAL GLAZED(CHIP)	0 OHM 1 / 16 W 1608 5.00% D	
		R253	0RH0222C622	O	O	RESISTOR,METAL GLAZED(CHIP)	22 OHM 1 / 16 W 1608 5.00% D	
		R254	0RH0222C622	O	O	RESISTOR,METAL GLAZED(CHIP)	22 OHM 1 / 16 W 1608 5.00% D	
		R255	0RH0222C622	O	O	RESISTOR,METAL GLAZED(CHIP)	22 OHM 1 / 16 W 1608 5.00% D	
		R256	0RH0222C622	O	O	RESISTOR,METAL GLAZED(CHIP)	22 OHM 1 / 16 W 1608 5.00% D	
		R257	0RH0222C622	O	O	RESISTOR,METAL GLAZED(CHIP)	22 OHM 1 / 16 W 1608 5.00% D	
		R258	0RH0222C622	O	O	RESISTOR,METAL GLAZED(CHIP)	22 OHM 1 / 16 W 1608 5.00% D	
		R259	0RH0222C622	O	O	RESISTOR,METAL GLAZED(CHIP)	22 OHM 1 / 16 W 1608 5.00% D	
		R260	0RH0222C622	O	O	RESISTOR,METAL GLAZED(CHIP)	22 OHM 1 / 16 W 1608 5.00% D	
		R261	0RH0222C622	O	O	RESISTOR,METAL GLAZED(CHIP)	22 OHM 1 / 16 W 1608 5.00% D	
		R262	0RH0222C622	O	O	RESISTOR,METAL GLAZED(CHIP)	22 OHM 1 / 16 W 1608 5.00% D	

S	AL	LOCA.NO	PART NO(LG)	A	B	DESCRIPTION	SPECIFICATION	REMARKS
		R263	0RH0222C622	O	O	RESISTOR,METAL GLAZED(CHIP)	22 OHM 1 / 16 W 1608 5.00% D	
		R264	0RH0222C622	O	O	RESISTOR,METAL GLAZED(CHIP)	22 OHM 1 / 16 W 1608 5.00% D	
		R265	0RH0222C622	O	O	RESISTOR,METAL GLAZED(CHIP)	22 OHM 1 / 16 W 1608 5.00% D	
		R266	0RH0222C622	O	O	RESISTOR,METAL GLAZED(CHIP)	22 OHM 1 / 16 W 1608 5.00% D	
		R267	0RH0222C622	O	O	RESISTOR,METAL GLAZED(CHIP)	22 OHM 1 / 16 W 1608 5.00% D	
		R268	0RH0222C622	O	O	RESISTOR,METAL GLAZED(CHIP)	22 OHM 1 / 16 W 1608 5.00% D	
		R269	0RH0222C622	O	O	RESISTOR,METAL GLAZED(CHIP)	22 OHM 1 / 16 W 1608 5.00% D	
		R273	0RH1501C622	O	O	RESISTOR,METAL GLAZED(CHIP)	1.5K OHM 1 / 16 W 1608 5.00% D	
		R274	0RH6200C622	O	O	RESISTOR,METAL GLAZED(CHIP)	620 OHM 1 / 16 W 1608 5.00% D	
		R275	0RH1501C622	O	O	RESISTOR,METAL GLAZED(CHIP)	1.5K OHM 1 / 16 W 1608 5.00% D	
		R276	0RH9100C622	O	O	RESISTOR,METAL GLAZED(CHIP)	910 OHM 1 / 16 W 1608 5.00% D	
		R277	0RH1500C622	O	O	RESISTOR,METAL GLAZED(CHIP)	150 OHM 1 / 16 W 1608 5.00% D	
		R278	0RH0000C622	O	O	RESISTOR,METAL GLAZED(CHIP)	0 OHM 1 / 16 W 1608 5.00% D	
		R279	0RH0000C622	O	O	RESISTOR,METAL GLAZED(CHIP)	0 OHM 1 / 16 W 1608 5.00% D	
		R281	0RH0000C622	O	O	RESISTOR,METAL GLAZED(CHIP)	0 OHM 1 / 16 W 1608 5.00% D	
		R288	0RH1002C622	O	O	RESISTOR,METAL GLAZED(CHIP)	10K OHM 1 / 16 W 1608 5.00% D	
		R290	0RH0000C622	O	O	RESISTOR,METAL GLAZED(CHIP)	0 OHM 1 / 16 W 1608 5.00% D	
		R291	0RH1000C622	O	O	RESISTOR,METAL GLAZED(CHIP)	100 OHM 1 / 16 W 1608 5.00% D	
		R293	0RH0000C622	O	O	RESISTOR,METAL GLAZED(CHIP)	0 OHM 1 / 16 W 1608 5.00% D	
		R2A1	0RH0912C622	O	O	RESISTOR,METAL GLAZED(CHIP)	91 OHM 1 / 16 W 1608 5.00% D	
		R2A2	0RH0000C622	O	O	RESISTOR,METAL GLAZED(CHIP)	0 OHM 1 / 16 W 1608 5.00% D	
		R2A6	0RH1202C422	O	O	RESISTOR,METAL GLAZED(CHIP)	12K OHM 1 / 16 W 1608 1.00% D	
		R2A9	0RH5602C622	O	O	RESISTOR,METAL GLAZED(CHIP)	56K OHM 1 / 16 W 1608 5.00% D	
		R2B0	0RH1001C622	O	O	RESISTOR,METAL GLAZED(CHIP)	1K OHM 1 / 16 W 1608 5.00% D	
		R2B1	0RH1001C622	O	O	RESISTOR,METAL GLAZED(CHIP)	1K OHM 1 / 16 W 1608 5.00% D	
		R2B2	0RH0182C622	O	O	RESISTOR,METAL GLAZED(CHIP)	18 OHM 1 / 16 W 1608 5.00% D	
		R2B3	0RH0182C622	O	O	RESISTOR,METAL GLAZED(CHIP)	18 OHM 1 / 16 W 1608 5.00% D	
		R2B4	0RH0000C622	O	O	RESISTOR,METAL GLAZED(CHIP)	0 OHM 1 / 16 W 1608 5.00% D	
		R2B5	0RH1001C622	O	O	RESISTOR,METAL GLAZED(CHIP)	1K OHM 1 / 16 W 1608 5.00% D	
		R2B6	0RH0182C622	O	O	RESISTOR,METAL GLAZED(CHIP)	18 OHM 1 / 16 W 1608 5.00% D	
		R2B7	0RH0182C622	O	O	RESISTOR,METAL GLAZED(CHIP)	18 OHM 1 / 16 W 1608 5.00% D	
		R2B8	0RH0000C622	O	O	RESISTOR,METAL GLAZED(CHIP)	0 OHM 1 / 16 W 1608 5.00% D	
		R2C0	0RH5601C622	O	O	RESISTOR,METAL GLAZED(CHIP)	5.6K OHM 1 / 16 W 1608 5.00% D	
		R2C4	0RH1001C622	O	O	RESISTOR,METAL GLAZED(CHIP)	1K OHM 1 / 16 W 1608 5.00% D	
		R2C5	0RH1001C622	O	O	RESISTOR,METAL GLAZED(CHIP)	1K OHM 1 / 16 W 1608 5.00% D	
		R2C6	0RH5601C622	O	O	RESISTOR,METAL GLAZED(CHIP)	5.6K OHM 1 / 16 W 1608 5.00% D	
		R2C7	0RH5601C622	O	O	RESISTOR,METAL GLAZED(CHIP)	5.6K OHM 1 / 16 W 1608 5.00% D	
		R2C8	0RH5601C622	O	O	RESISTOR,METAL GLAZED(CHIP)	5.6K OHM 1 / 16 W 1608 5.00% D	
		R2C9	0RH5601C622	O	O	RESISTOR,METAL GLAZED(CHIP)	5.6K OHM 1 / 16 W 1608 5.00% D	
		R2D0	0RH5601C622	O	O	RESISTOR,METAL GLAZED(CHIP)	5.6K OHM 1 / 16 W 1608 5.00% D	
		R2D1	0RH0000C622	O	O	RESISTOR,METAL GLAZED(CHIP)	0 OHM 1 / 16 W 1608 5.00% D	
		R2D2	0RH0000C622	O	O	RESISTOR,METAL GLAZED(CHIP)	0 OHM 1 / 16 W 1608 5.00% D	
		R2D3	0RH5601C622	O	O	RESISTOR,METAL GLAZED(CHIP)	5.6K OHM 1 / 16 W 1608 5.00% D	
		R2D4	0RH5601C622	O	O	RESISTOR,METAL GLAZED(CHIP)	5.6K OHM 1 / 16 W 1608 5.00% D	
		R2D5	0RH6801C622	O	O	RESISTOR,METAL GLAZED(CHIP)	6.8K OHM 1 / 16 W 1608 5.00% D	
		R2D6	0RH0912C622	O	O	RESISTOR,METAL GLAZED(CHIP)	91 OHM 1 / 16 W 1608 5.00% D	
		R2E6	0RH1000C622	O	O	RESISTOR,METAL GLAZED(CHIP)	100 OHM 1 / 16 W 1608 5.00% D	
		R2E7	0RH1000C622	O	O	RESISTOR,METAL GLAZED(CHIP)	100 OHM 1 / 16 W 1608 5.00% D	
		R2E8	0RH0000C622	O	O	RESISTOR,METAL GLAZED(CHIP)	0 OHM 1 / 16 W 1608 5.00% D	
		R2F1	0RH2200C622	O	O	RESISTOR,METAL GLAZED(CHIP)	220 OHM 1 / 16 W 1608 5.00% D	
		R2F2	0RH2200C622	O	O	RESISTOR,METAL GLAZED(CHIP)	220 OHM 1 / 16 W 1608 5.00% D	
		R2F3	0RH1000C622	O	O	RESISTOR,METAL GLAZED(CHIP)	100 OHM 1 / 16 W 1608 5.00% D	
		R2F4	0RH1000C622	O	O	RESISTOR,METAL GLAZED(CHIP)	100 OHM 1 / 16 W 1608 5.00% D	
		R2F5	0RH2202C422	O	O	RESISTOR,METAL GLAZED(CHIP)	22K OHM 1 / 16 W 1608 1.00% D	
		R2F6	0RH5601C622	O	O	RESISTOR,METAL GLAZED(CHIP)	5.6K OHM 1 / 16 W 1608 5.00% D	
		R2F7	0RH5601C622	O	O	RESISTOR,METAL GLAZED(CHIP)	5.6K OHM 1 / 16 W 1608 5.00% D	
		R2F8	0RH2201C622	O	O	RESISTOR,METAL GLAZED(CHIP)	2.2K OHM 1 / 16 W 1608 5.00% D	
		R2F9	0RH2201C622	O	O	RESISTOR,METAL GLAZED(CHIP)	2.2K OHM 1 / 16 W 1608 5.00% D	
		R2G1	0RH2201C622	O	O	RESISTOR,METAL GLAZED(CHIP)	2.2K OHM 1 / 16 W 1608 5.00% D	

S	AL	LOCA.NO	PART NO(LG)	A	B	DESCRIPTION	SPECIFICATION	REMARKS
		R356	0RH1000C622	O	O	RESISTOR,METAL GLAZED(CHIP)	100 OHM 1 / 16 W 1608 5.00% D	
		R357	0RH1000C622	O	O	RESISTOR,METAL GLAZED(CHIP)	100 OHM 1 / 16 W 1608 5.00% D	
		R358	0RH1000C622	O	O	RESISTOR,METAL GLAZED(CHIP)	100 OHM 1 / 16 W 1608 5.00% D	
		R359	0RH1000C622	O	O	RESISTOR,METAL GLAZED(CHIP)	100 OHM 1 / 16 W 1608 5.00% D	
		R360	0RH1000C622	O	O	RESISTOR,METAL GLAZED(CHIP)	100 OHM 1 / 16 W 1608 5.00% D	
		R361	0RH0000C622	O	O	RESISTOR,METAL GLAZED(CHIP)	0 OHM 1 / 16 W 1608 5.00% D	
		R362	0RH1000C622	O	O	RESISTOR,METAL GLAZED(CHIP)	100 OHM 1 / 16 W 1608 5.00% D	
		R363	0RH1000C622	O	O	RESISTOR,METAL GLAZED(CHIP)	100 OHM 1 / 16 W 1608 5.00% D	
		R364	0RH0000C622	O	O	RESISTOR,METAL GLAZED(CHIP)	0 OHM 1 / 16 W 1608 5.00% D	
		R365	0RH0000C622	O	O	RESISTOR,METAL GLAZED(CHIP)	0 OHM 1 / 16 W 1608 5.00% D	
		R367	0RH1201C622	O	O	RESISTOR,METAL GLAZED(CHIP)	1.2K OHM 1 / 16 W 1608 5.00% D	
		R368	0RH4702C622	O	O	RESISTOR,METAL GLAZED(CHIP)	47K OHM 1 / 16 W 1608 5.00% D	
		R369	0RH4701C622	O	O	RESISTOR,METAL GLAZED(CHIP)	4.7K OHM 1 / 16 W 1608 5.00% D	
		R370	0RH1001C622	O	O	RESISTOR,METAL GLAZED(CHIP)	1K OHM 1 / 16 W 1608 5.00% D	
		R380	0RH4701C622	O	O	RESISTOR,METAL GLAZED(CHIP)	4.7K OHM 1 / 16 W 1608 5.00% D	
		R381	0RH4701C622	O	O	RESISTOR,METAL GLAZED(CHIP)	4.7K OHM 1 / 16 W 1608 5.00% D	
		R3A2	0RH0000C622	O	O	RESISTOR,METAL GLAZED(CHIP)	0 OHM 1 / 16 W 1608 5.00% D	
		R3F1	0RH0000C622	O	O	RESISTOR,METAL GLAZED(CHIP)	0 OHM 1 / 16 W 1608 5.00% D	
		R3F2	0RH1001C622	O	O	RESISTOR,METAL GLAZED(CHIP)	1K OHM 1 / 16 W 1608 5.00% D	
		R3F3	0RH4701C622	O	O	RESISTOR,METAL GLAZED(CHIP)	4.7K OHM 1 / 16 W 1608 5.00% D	
		R3F4	0RH1002C622	O	O	RESISTOR,METAL GLAZED(CHIP)	10K OHM 1 / 16 W 1608 5.00% D	
		R3F5	0RH1002C622	O	O	RESISTOR,METAL GLAZED(CHIP)	10K OHM 1 / 16 W 1608 5.00% D	
		R401	0RH0182C622	O	O	RESISTOR,METAL GLAZED(CHIP)	18 OHM 1 / 16 W 1608 5.00% D	
		R403	0RH0102C622	O	O	RESISTOR,METAL GLAZED(CHIP)	10 OHM 1 / 16 W 1608 5.00% D	
		R404	0RH7501C622	O	O	RESISTOR,METAL GLAZED(CHIP)	7.5K OHM 1 / 16 W 1608 5.00% D	
		R405	0RH1801C622	O	O	RESISTOR,METAL GLAZED(CHIP)	1.8K OHM 1 / 16 W 1608 5.00% D	
		R406	0RH1801C622	O	O	RESISTOR,METAL GLAZED(CHIP)	1.8K OHM 1 / 16 W 1608 5.00% D	
		R407	0RH1002C622	O	O	RESISTOR,METAL GLAZED(CHIP)	10K OHM 1 / 16 W 1608 5.00% D	
		R409	0RH7501C622	O	O	RESISTOR,METAL GLAZED(CHIP)	7.5K OHM 1 / 16 W 1608 5.00% D	
		R410	0RH7501C622	O	O	RESISTOR,METAL GLAZED(CHIP)	7.5K OHM 1 / 16 W 1608 5.00% D	
		R411	0RH7501C622	O	O	RESISTOR,METAL GLAZED(CHIP)	7.5K OHM 1 / 16 W 1608 5.00% D	
		R412	0RH1801C622	O	O	RESISTOR,METAL GLAZED(CHIP)	1.8K OHM 1 / 16 W 1608 5.00% D	
		R413	0RH1002C622	O	O	RESISTOR,METAL GLAZED(CHIP)	10K OHM 1 / 16 W 1608 5.00% D	
		R414	0RH5601C622	O	O	RESISTOR,METAL GLAZED(CHIP)	5.6K OHM 1 / 16 W 1608 5.00% D	
		R415	0RH4701C622	O	O	RESISTOR,METAL GLAZED(CHIP)	4.7K OHM 1 / 16 W 1608 5.00% D	
		R416	0RH1002C622	O	O	RESISTOR,METAL GLAZED(CHIP)	10K OHM 1 / 16 W 1608 5.00% D	
		R417	0RH1801C622	O	O	RESISTOR,METAL GLAZED(CHIP)	1.8K OHM 1 / 16 W 1608 5.00% D	
		R418	0RH1002C622	O	O	RESISTOR,METAL GLAZED(CHIP)	10K OHM 1 / 16 W 1608 5.00% D	
		R419	0RH3300C622	O	O	RESISTOR,METAL GLAZED(CHIP)	330 OHM 1 / 16 W 1608 5.00% D	
		R420	0RH3300C622	O	O	RESISTOR,METAL GLAZED(CHIP)	330 OHM 1 / 16 W 1608 5.00% D	
		R421	0RH0000C622	O	O	RESISTOR,METAL GLAZED(CHIP)	0 OHM 1 / 16 W 1608 5.00% D	
		R428	0RH0000C622	O	O	RESISTOR,METAL GLAZED(CHIP)	0 OHM 1 / 16 W 1608 5.00% D	
		R429	0RH0000C622	O	O	RESISTOR,METAL GLAZED(CHIP)	0 OHM 1 / 16 W 1608 5.00% D	
		R430	0RH0000C622	O	O	RESISTOR,METAL GLAZED(CHIP)	0 OHM 1 / 16 W 1608 5.00% D	
		R431	0RH1001C622	O	O	RESISTOR,METAL GLAZED(CHIP)	1K OHM 1 / 16 W 1608 5.00% D	
		R432	0RH0000C622	O	O	RESISTOR,METAL GLAZED(CHIP)	0 OHM 1 / 16 W 1608 5.00% D	
		R433	0RH5600C622	O	O	RESISTOR,METAL GLAZED(CHIP)	560 OHM 1 / 16 W 1608 5.00% D	
		R434	0RH5600C622	O	O	RESISTOR,METAL GLAZED(CHIP)	560 OHM 1 / 16 W 1608 5.00% D	
		R435	0RH1001C622	O	O	RESISTOR,METAL GLAZED(CHIP)	1K OHM 1 / 16 W 1608 5.00% D	
		R436	0RH1001C622	O	O	RESISTOR,METAL GLAZED(CHIP)	1K OHM 1 / 16 W 1608 5.00% D	
		R501	0RH3301C622	O	O	RESISTOR,METAL GLAZED(CHIP)	3.3K OHM 1 / 16 W 1608 5.00% D	
		R502	0RH1001C622	O	O	RESISTOR,METAL GLAZED(CHIP)	1K OHM 1 / 16 W 1608 5.00% D	
		R503	0RH0000C622	O	O	RESISTOR,METAL GLAZED(CHIP)	0 OHM 1 / 16 W 1608 5.00% D	
		R504	0RH1500C422	O	O	RESISTOR,METAL GLAZED(CHIP)	150 OHM 1 / 16 W 1608 1.00% D	
		R505	0RH0102C622	O	O	RESISTOR,METAL GLAZED(CHIP)	10 OHM 1 / 16 W 1608 5.00% D	
		R506	0RH1001C422	O	O	RESISTOR,METAL GLAZED(CHIP)	1K OHM 1 / 16 W 1608 1.00% D	
		R507	0RH1100C622	O	O	RESISTOR,METAL GLAZED(CHIP)	110 OHM 1 / 16 W 1608 5.00% D	
		R508	0RH0752C622	O	O	RESISTOR,METAL GLAZED(CHIP)	75 OHM 1 / 16 W 1608 5.00% D	
		R509	0RH1100C622	O	O	RESISTOR,METAL GLAZED(CHIP)	110 OHM 1 / 16 W 1608 5.00% D	

S	AL	LOCA.NO	PART NO(LG)	A	B	DESCRIPTION	SPECIFICATION	REMARKS
		R510	0RH0222C622	O	O	RESISTOR,METAL GLAZED(CHIP)	22 OHM 1 / 16 W 1608 5.00% D	
		R514	0RH0222C622	O	O	RESISTOR,METAL GLAZED(CHIP)	22 OHM 1 / 16 W 1608 5.00% D	
		R515	0RH0222C622	O	O	RESISTOR,METAL GLAZED(CHIP)	22 OHM 1 / 16 W 1608 5.00% D	
		R516	0RH1000C622	O	O	RESISTOR,METAL GLAZED(CHIP)	100 OHM 1 / 16 W 1608 5.00% D	
		R517	0RH0222C622	O	O	RESISTOR,METAL GLAZED(CHIP)	22 OHM 1 / 16 W 1608 5.00% D	
		R518	0RH0222C622	O	O	RESISTOR,METAL GLAZED(CHIP)	22 OHM 1 / 16 W 1608 5.00% D	
		R519	0RH0222C622	O	O	RESISTOR,METAL GLAZED(CHIP)	22 OHM 1 / 16 W 1608 5.00% D	
		R520	0RH0222C622	O	O	RESISTOR,METAL GLAZED(CHIP)	22 OHM 1 / 16 W 1608 5.00% D	
		R521	0RH4701C622	O	O	RESISTOR,METAL GLAZED(CHIP)	4.7K OHM 1 / 16 W 1608 5.00% D	
		R522	0RH1002C622	O	O	RESISTOR,METAL GLAZED(CHIP)	10K OHM 1 / 16 W 1608 5.00% D	
		R523	0RH4701C622	O	O	RESISTOR,METAL GLAZED(CHIP)	4.7K OHM 1 / 16 W 1608 5.00% D	
		R524	0RH1001C622	O	O	RESISTOR,METAL GLAZED(CHIP)	1K OHM 1 / 16 W 1608 5.00% D	
		R525	0LC0233002B	O	O	INDUCTOR,CHIP	HB-1S1608-800JT CERATECH R/TP	
		R530	0RH1201C622	O	O	RESISTOR,METAL GLAZED(CHIP)	1.2K OHM 1 / 16 W 1608 5.00% D	
		R531	0RH1201C622	O	O	RESISTOR,METAL GLAZED(CHIP)	1.2K OHM 1 / 16 W 1608 5.00% D	
		R534	0RH6800C622	O	O	RESISTOR,METAL GLAZED(CHIP)	680 OHM 1 / 16 W 1608 5.00% D	
		R535	0RH1201C622	O	O	RESISTOR,METAL GLAZED(CHIP)	1.2K OHM 1 / 16 W 1608 5.00% D	
		R541	0RH1002C622	O	O	RESISTOR,METAL GLAZED(CHIP)	10K OHM 1 / 16 W 1608 5.00% D	
		R588	0RH0752C622	O	O	RESISTOR,METAL GLAZED(CHIP)	75 OHM 1 / 16 W 1608 5.00% D	
		R589	0RH0752C622	O	O	RESISTOR,METAL GLAZED(CHIP)	75 OHM 1 / 16 W 1608 5.00% D	
		R590	0RH0752C622	O	O	RESISTOR,METAL GLAZED(CHIP)	75 OHM 1 / 16 W 1608 5.00% D	
		R591	0RH0752C622	O	O	RESISTOR,METAL GLAZED(CHIP)	75 OHM 1 / 16 W 1608 5.00% D	
		R597	0RH0000C622	O	O	RESISTOR,METAL GLAZED(CHIP)	0 OHM 1 / 16 W 1608 5.00% D	
		R598	0RH0000C622	O	O	RESISTOR,METAL GLAZED(CHIP)	0 OHM 1 / 16 W 1608 5.00% D	
		R599	0RH0752C622	O	O	RESISTOR,METAL GLAZED(CHIP)	75 OHM 1 / 16 W 1608 5.00% D	
		R5A1	0RH0000C622	O	O	RESISTOR,METAL GLAZED(CHIP)	0 OHM 1 / 16 W 1608 5.00% D	
		R5A3	0RH0000C622	O	O	RESISTOR,METAL GLAZED(CHIP)	0 OHM 1 / 16 W 1608 5.00% D	
		R601	0RD4702F608	O		RESISTOR,FIXED CARBON FILM	47K OHM 1/6 W 5.00% TA26	
		R604	0RD0752F608	O		RESISTOR,FIXED CARBON FILM	75 OHM 1/6 W 5.00% TA26	
		R605	0RD1001F608	O	O	RESISTOR,FIXED CARBON FILM	1K OHM 1/6 W 5.00% TA26	
		R606	0RD1001F608	O	O	RESISTOR,FIXED CARBON FILM	1K OHM 1/6 W 5.00% TA26	
		R607	0RD1001F608	O	O	RESISTOR,FIXED CARBON FILM	1K OHM 1/6 W 5.00% TA26	
		R608	0RD1001F608	O	O	RESISTOR,FIXED CARBON FILM	1K OHM 1/6 W 5.00% TA26	
		R609	0RD1001F608	O	O	RESISTOR,FIXED CARBON FILM	1K OHM 1/6 W 5.00% TA26	
		R618	0RD1003F608	O	O	RESISTOR,FIXED CARBON FILM	100K OHM 1/6 W 5.00% TA26	
		R619	0RD1003F608	O	O	RESISTOR,FIXED CARBON FILM	100K OHM 1/6 W 5.00% TA26	
		R622	0RD0222F608	O	O	RESISTOR,FIXED CARBON FILM	22 OHM 1/6 W 5.00% TA26	
		R624	0RD1001F608	O	O	RESISTOR,FIXED CARBON FILM	1K OHM 1/6 W 5.00% TA26	
		R628	0RD4702F608	O		RESISTOR,FIXED CARBON FILM	47K OHM 1/6 W 5.00% TA26	
		R633	0RD4701F608	O	O	RESISTOR,FIXED CARBON FILM	4.7K OHM 1/6 W 5.00% TA26	
		R634	0RD5601F608	O	O	RESISTOR,FIXED CARBON FILM	5.6K OHM 1/6 W 5.00% TA26	
		R652	0RD0752F608	O		RESISTOR,FIXED CARBON FILM	75 OHM 1/6 W 5.00% TA26	
		R653	0RD1001F608	O		RESISTOR,FIXED CARBON FILM	1K OHM 1/6 W 5.00% TA26	
		R655	0RD1001F608	O		RESISTOR,FIXED CARBON FILM	1K OHM 1/6 W 5.00% TA26	
		R676	0RD0752F608	O		RESISTOR,FIXED CARBON FILM	75 OHM 1/6 W 5.00% TA26	
		R677	0RD1002F608	O	O	RESISTOR,FIXED CARBON FILM	10K OHM 1/6 W 5.00% TA26	
		R678	0RD6801F608	O	O	RESISTOR,FIXED CARBON FILM	6.8K OHM 1/6 W 5.00% TA26	
		R6M2	0RD1003F608		O	RESISTOR,FIXED CARBON FILM	100K OHM 1/6 W 5.00% TA26	
		R6M4	0RD1003F608		O	RESISTOR,FIXED CARBON FILM	100K OHM 1/6 W 5.00% TA26	
		R6M7	0RD1003F608	O		RESISTOR,FIXED CARBON FILM	100K OHM 1/6 W 5.00% TA26	
		R6M8	0RD1003F608	O		RESISTOR,FIXED CARBON FILM	100K OHM 1/6 W 5.00% TA26	
		R901	0RD6800F608	O	O	RESISTOR,FIXED CARBON FILM	680 OHM 1/6 W 5.00% TA26	
		R902	0RD8200F608	O	O	RESISTOR,FIXED CARBON FILM	820 OHM 1/6 W 5.00% TA26	
		R903	0RD1201F608	O	O	RESISTOR,FIXED CARBON FILM	1.2K OHM 1/6 W 5.00% TA26	
		R904	0RD1501F608	O	O	RESISTOR,FIXED CARBON FILM	1.5K OHM 1/6 W 5.00% TA26	
		R905	0RD2201F608	O	O	RESISTOR,FIXED CARBON FILM	2.2K OHM 1/6 W 5.00% TA26	
		R906	0RD3301F608	O	O	RESISTOR,FIXED CARBON FILM	3.3K OHM 1/6 W 5.00% TA26	
		R907	0RD4701F608	O	O	RESISTOR,FIXED CARBON FILM	4.7K OHM 1/6 W 5.00% TA26	
		R908	0RD8201F608	O	O	RESISTOR,FIXED CARBON FILM	8.2K OHM 1/6 W 5.00% TA26	

S	AL	LOCA.NO	PART NO(LG)	A	B	DESCRIPTION	SPECIFICATION	REMARKS
		R909	0RD1502F608	O	O	RESISTOR,FIXED CARBON FILM	15K OHM 1/6 W 5.00% TA26	
		R910	0RD1002F608	O	O	RESISTOR,FIXED CARBON FILM	10K OHM 1/6 W 5.00% TA26	
		R913	0RD6800F608	O	O	RESISTOR,FIXED CARBON FILM	680 OHM 1/6 W 5.00% TA26	
		R914	0RD8200F608	O	O	RESISTOR,FIXED CARBON FILM	820 OHM 1/6 W 5.00% TA26	
		R915	0RD1201F608	O	O	RESISTOR,FIXED CARBON FILM	1.2K OHM 1/6 W 5.00% TA26	
		R916	0RD1501F608	O	O	RESISTOR,FIXED CARBON FILM	1.5K OHM 1/6 W 5.00% TA26	
		R917	0RD2201F608	O	O	RESISTOR,FIXED CARBON FILM	2.2K OHM 1/6 W 5.00% TA26	
		R918	0RD3301F608	O	O	RESISTOR,FIXED CARBON FILM	3.3K OHM 1/6 W 5.00% TA26	
		R919	0RD4701F608	O	O	RESISTOR,FIXED CARBON FILM	4.7K OHM 1/6 W 5.00% TA26	
		R925	0RD1002F608	O	O	RESISTOR,FIXED CARBON FILM	10K OHM 1/6 W 5.00% TA26	
		R926	0RD1002F608	O	O	RESISTOR,FIXED CARBON FILM	10K OHM 1/6 W 5.00% TA26	
		R933	0RD3300F608	O	O	RESISTOR,FIXED CARBON FILM	330 OHM 1/6 W 5.00% TA26	
		R938	0RD1001F608	O	O	RESISTOR,FIXED CARBON FILM	1K OHM 1/6 W 5.00% TA26	
		R939	0RD2200F608	O	O	RESISTOR,FIXED CARBON FILM	220 OHM 1/6 W 5.00% TA26	
		R944	0RD1002F608	O	O	RESISTOR,FIXED CARBON FILM	10K OHM 1/6 W 5.00% TA26	
		R951	0RD1003F608	O	O	RESISTOR,FIXED CARBON FILM	100K OHM 1/6 W 5.00% TA26	
		R952	0RD1003F608	O	O	RESISTOR,FIXED CARBON FILM	100K OHM 1/6 W 5.00% TA26	
		R953	0RD1003F608	O	O	RESISTOR,FIXED CARBON FILM	100K OHM 1/6 W 5.00% TA26	
		R954	0RD1003F608	O	O	RESISTOR,FIXED CARBON FILM	100K OHM 1/6 W 5.00% TA26	
		R955	0RD1003F608	O	O	RESISTOR,FIXED CARBON FILM	100K OHM 1/6 W 5.00% TA26	
		R956	0RD1003F608	O	O	RESISTOR,FIXED CARBON FILM	100K OHM 1/6 W 5.00% TA26	
		R957	0RD1003F608	O	O	RESISTOR,FIXED CARBON FILM	100K OHM 1/6 W 5.00% TA26	
		R958	0RD1003F608	O	O	RESISTOR,FIXED CARBON FILM	100K OHM 1/6 W 5.00% TA26	
		R959	0RD1003F608	O	O	RESISTOR,FIXED CARBON FILM	100K OHM 1/6 W 5.00% TA26	
		R960	0RD1003F608	O	O	RESISTOR,FIXED CARBON FILM	100K OHM 1/6 W 5.00% TA26	
		R961	0RD1003F608	O	O	RESISTOR,FIXED CARBON FILM	100K OHM 1/6 W 5.00% TA26	
		R969	0RD1003F608	O	O	RESISTOR,FIXED CARBON FILM	100K OHM 1/6 W 5.00% TA26	
		R970	0RD1003F608	O	O	RESISTOR,FIXED CARBON FILM	100K OHM 1/6 W 5.00% TA26	
		R971	0RD1003F608	O	O	RESISTOR,FIXED CARBON FILM	100K OHM 1/6 W 5.00% TA26	
		R972	0RD1003F608	O	O	RESISTOR,FIXED CARBON FILM	100K OHM 1/6 W 5.00% TA26	
		R973	0RD1003F608	O	O	RESISTOR,FIXED CARBON FILM	100K OHM 1/6 W 5.00% TA26	
		R974	0RD1003F608	O	O	RESISTOR,FIXED CARBON FILM	100K OHM 1/6 W 5.00% TA26	
		R975	0RD1003F608	O	O	RESISTOR,FIXED CARBON FILM	100K OHM 1/6 W 5.00% TA26	
		R976	0RD1003F608	O	O	RESISTOR,FIXED CARBON FILM	100K OHM 1/6 W 5.00% TA26	
		R977	0RD1003F608	O	O	RESISTOR,FIXED CARBON FILM	100K OHM 1/6 W 5.00% TA26	
		R978	0RD1003F608	O	O	RESISTOR,FIXED CARBON FILM	100K OHM 1/6 W 5.00% TA26	
		R979	0RD1003F608	O	O	RESISTOR,FIXED CARBON FILM	100K OHM 1/6 W 5.00% TA26	
		R980	0RD1003F608	O	O	RESISTOR,FIXED CARBON FILM	100K OHM 1/6 W 5.00% TA26	
		R981	0RD1003F608	O	O	RESISTOR,FIXED CARBON FILM	100K OHM 1/6 W 5.00% TA26	
		R982	0RD1003F608	O	O	RESISTOR,FIXED CARBON FILM	100K OHM 1/6 W 5.00% TA26	
		R983	0RD1003F608	O	O	RESISTOR,FIXED CARBON FILM	100K OHM 1/6 W 5.00% TA26	
		R990	0RD1201F608	O	O	RESISTOR,FIXED CARBON FILM	1.2K OHM 1/6 W 5.00% TA26	
		R991	0RD1001F608	O	O	RESISTOR,FIXED CARBON FILM	1K OHM 1/6 W 5.00% TA26	
		R993	0RD1201F608	O	O	RESISTOR,FIXED CARBON FILM	1.2K OHM 1/6 W 5.00% TA26	
		R994	0RD1201F608	O	O	RESISTOR,FIXED CARBON FILM	1.2K OHM 1/6 W 5.00% TA26	
		R995	0RD1201F608	O	O	RESISTOR,FIXED CARBON FILM	1.2K OHM 1/6 W 5.00% TA26	
		R996	0RD3301F608	O	O	RESISTOR,FIXED CARBON FILM	3.3K OHM 1/6 W 5.00% TA26	
REMOCON RECEIVER								
		RC901	6712R1638GA	O	O	REMOTE CONTROLLER RECEIVER	TSOP1838RF1 VISHAY(TEMIC) 37-	
SENSOR								
		IC102	657-063A	O	O	SENSOR	LTV-817B,PHOTO COUPLER(LITEON)	
SWITCH								
		SW601	6600R-SH02A	O		SWITCH,SLIDE	SKQ-23D15-G5-NA LUPFUNG DC 30	
		SW602	6600R-SH18A	O	O	SWITCH,TACT	CSS-4206 CHANG SHIN NON DC 30V	
		SW901	556-219B	O	O	SWITCH,TACT	THVV502GAA POSTECH DC 12 V 5-	
		SW902	556-219B	O	O	SWITCH,TACT	THVV502GAA POSTECH DC 12 V 5-	
		SW903	556-219B	O	O	SWITCH,TACT	THVV502GAA POSTECH DC 12 V 5-	
		SW904	556-219B	O	O	SWITCH,TACT	THVV502GAA POSTECH DC 12 V 5-	
		SW905	556-219B	O	O	SWITCH,TACT	THVV502GAA POSTECH DC 12 V 5-	

S	AL	LOCA.NO	PART NO(LG)	A	B	DESCRIPTION	SPECIFICATION	REMARKS
		SW906	556-219B	O	O	SWITCH,TACT	THVV502GAA POSTECH DC 12 V 5-	
		SW907	556-219B	O	O	SWITCH,TACT	THVV502GAA POSTECH DC 12 V 5-	
		SW908	556-219B	O	O	SWITCH,TACT	THVV502GAA POSTECH DC 12 V 5-	
		SW909	556-219B	O	O	SWITCH,TACT	THVV502GAA POSTECH DC 12 V 5-	
		SW910	556-219B	O	O	SWITCH,TACT	THVV502GAA POSTECH DC 12 V 5-	
		SW911	556-219B	O	O	SWITCH,TACT	THVV502GAA POSTECH DC 12 V 5-	
		SW912	556-219B	O	O	SWITCH,TACT	THVV502GAA POSTECH DC 12 V 5-	
		SW913	556-219B	O	O	SWITCH,TACT	THVV502GAA POSTECH DC 12 V 5-	
		SW914	556-219B	O	O	SWITCH,TACT	THVV502GAA POSTECH DC 12 V 5-	
		SW915	556-219B	O	O	SWITCH,TACT	THVV502GAA POSTECH DC 12 V 5-	
		SW916	556-219B	O	O	SWITCH,TACT	THVV502GAA POSTECH DC 12 V 5-	
		SW917	556-219B	O	O	SWITCH,TACT	THVV502GAA POSTECH DC 12 V 5-	
		SW918	556-219B	O	O	SWITCH,TACT	THVV502GAA POSTECH DC 12 V 5-	
CRYSTAL								
		X201	6202R-BM01A	O	O	RESONATOR,CRYSTAL	HC-49/SM5H KONY 33-8688MHZ 5	
		X501	6202R-BL01A	O	O	RESONATOR,CRYSTAL	HC-49/SM5H KONY 27MHZ 15PF -	
		X901	6212BA3004A	O	O	RESONATOR,CERAMIC	CSTLS6M00G53-A0 MURATA 6MHZ -	
ZENER DIODE								
		ZD101	0DZ560009CJ	O	O	DIODE,ZENERS	GDZJ5.6B 26MM GRANDE TP26 DO34	
		ZD605	0DZ332609FB	O	O	DIODE,ZENERS	GDZJ3.3B 26MM GRANDE TP26 DO34	
		ZD606	0DZ332609FB	O	O	DIODE,ZENERS	GDZJ3.3B 26MM GRANDE TP26 DO34	
		ZD611	0DZ332609FB	O	O	DIODE,ZENERS	GDZJ3.3B 26MM GRANDE TP26 DO34	
		ZD612	0DZ332609FB	O	O	DIODE,ZENERS	GDZJ3.3B 26MM GRANDE TP26 DO34	
		ZD635	0DZ332609FB	O	O	DIODE,ZENERS	GDZJ3.3B 26MM GRANDE TP26 DO34	
		ZD636	0DZ332609FB	O	O	DIODE,ZENERS	GDZJ3.3B 26MM GRANDE TP26 DO34	
		ZD637	0DZ332609FB	O	O	DIODE,ZENERS	GDZJ3.3B 26MM GRANDE TP26 DO34	
		ZD638	0DZ332609FB	O	O	DIODE,ZENERS	GDZJ3.3B 26MM GRANDE TP26 DO34	
		ZD639	0DZ332609FB	O	O	DIODE,ZENERS	GDZJ3.3B 26MM GRANDE TP26 DO34	
		ZD640	0DZ332609FB	O	O	DIODE,ZENERS	GDZJ3.3B 26MM GRANDE TP26 DO34	
		ZD641	0DZ332609FB	O	O	DIODE,ZENERS	GDZJ3.3B 26MM GRANDE TP26 DO34	
		ZD642	0DZ332609FB	O	O	DIODE,ZENERS	GDZJ3.3B 26MM GRANDE TP26 DO34	
		ZD643	0DZ332609FB	O	O	DIODE,ZENERS	GDZJ3.3B 26MM GRANDE TP26 DO34	
		ZD644	0DZ332609FB	O	O	DIODE,ZENERS	GDZJ3.3B 26MM GRANDE TP26 DO34	
CIRCUIT BOARD ASSY & CONNECTOR								
		PBP00	6871R-5092A	O	O	PWB(PCB) ASSEMBLY,TOTAL	DMN5026N HA1UNN KEY BLUE PCB	
		PBT00	6871R-5091A	O	O	PWB(PCB) ASSEMBLY,TOTAL	DMN5026N HA1UNN TIMER BLUE PCB	



SERVICE MANUAL

SERVICE MANUAL

MODELS : T572C/T572AH

SERVICE MANUAL

T572C/T572AH

DVD VIDEO PLAYER

T572C/T572AH
DVD VIDEO PLAYER

T572C/T572AH

T572C/T572AH
DVD VIDEO PLAYER

© NAD 2003

NAD ELECTRONICS INTERNATIONAL
TORONTO